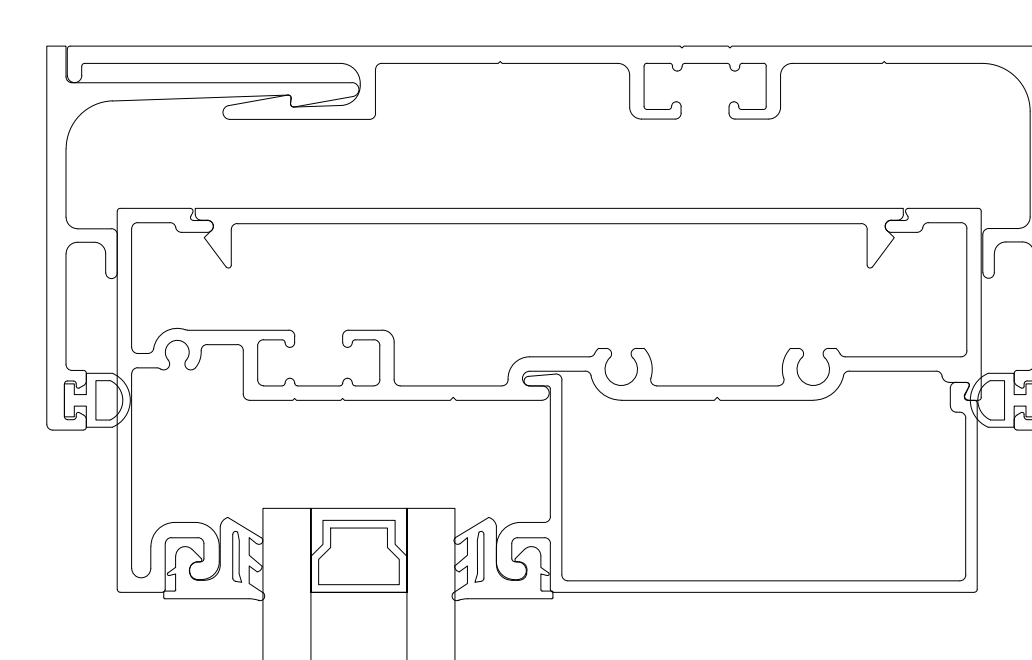
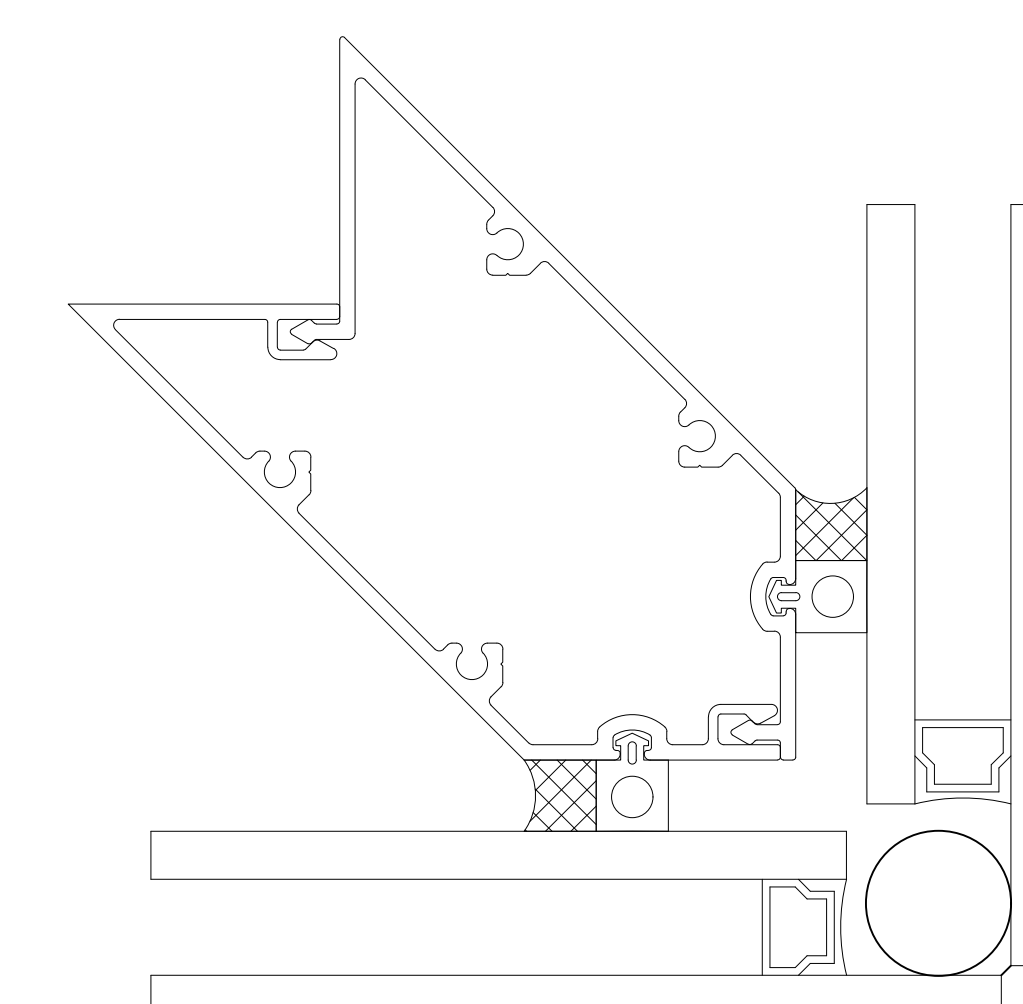
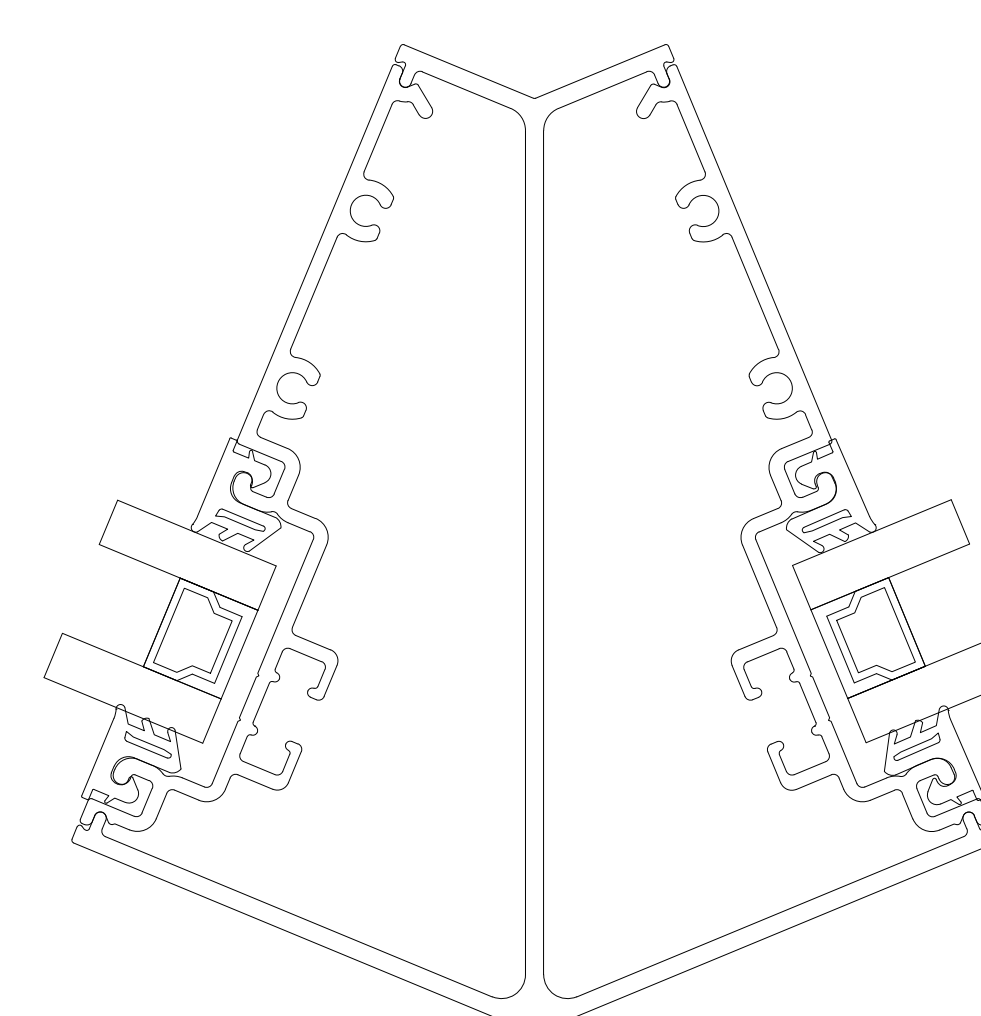
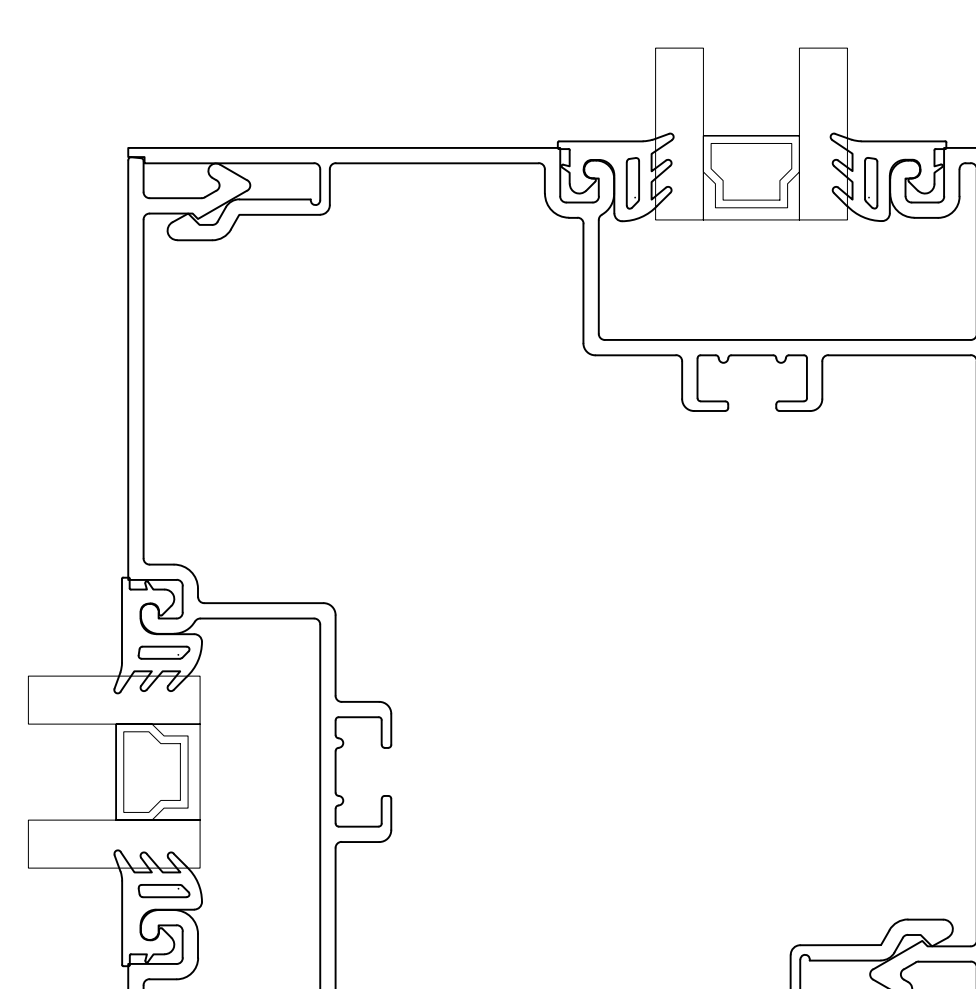
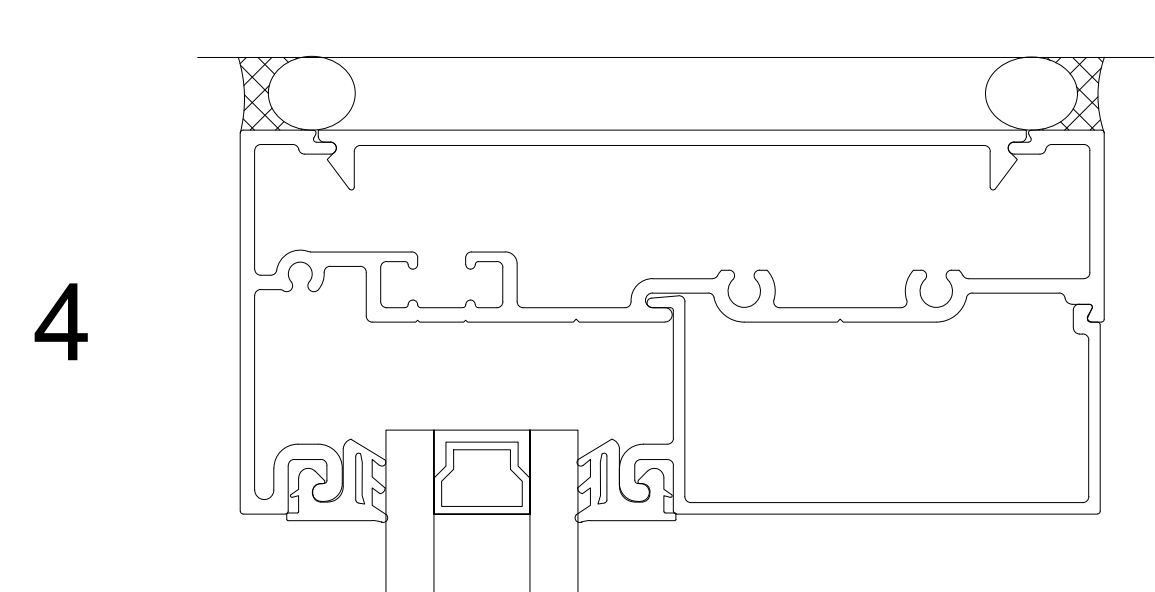
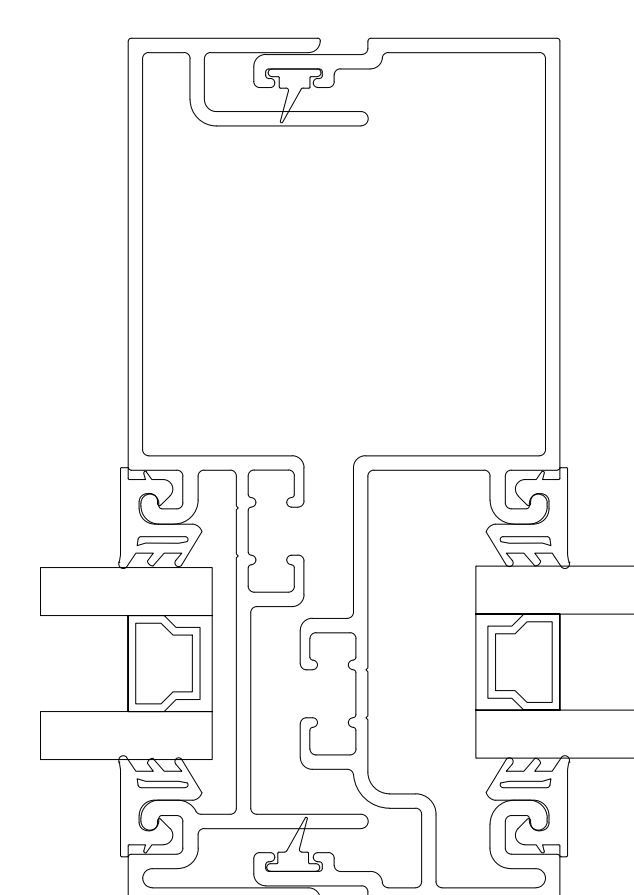
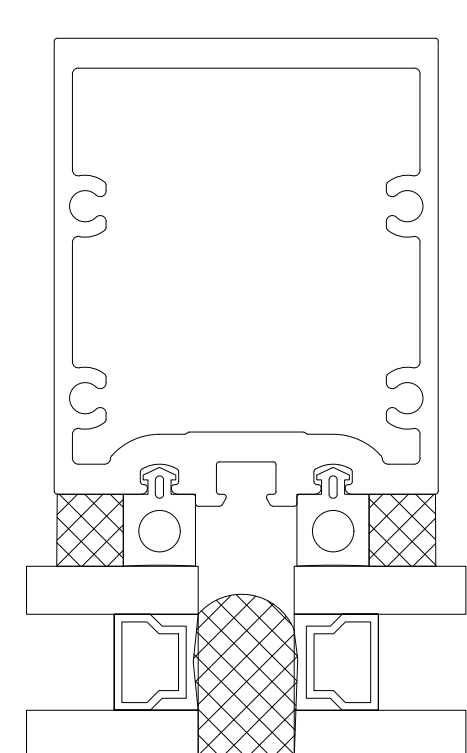
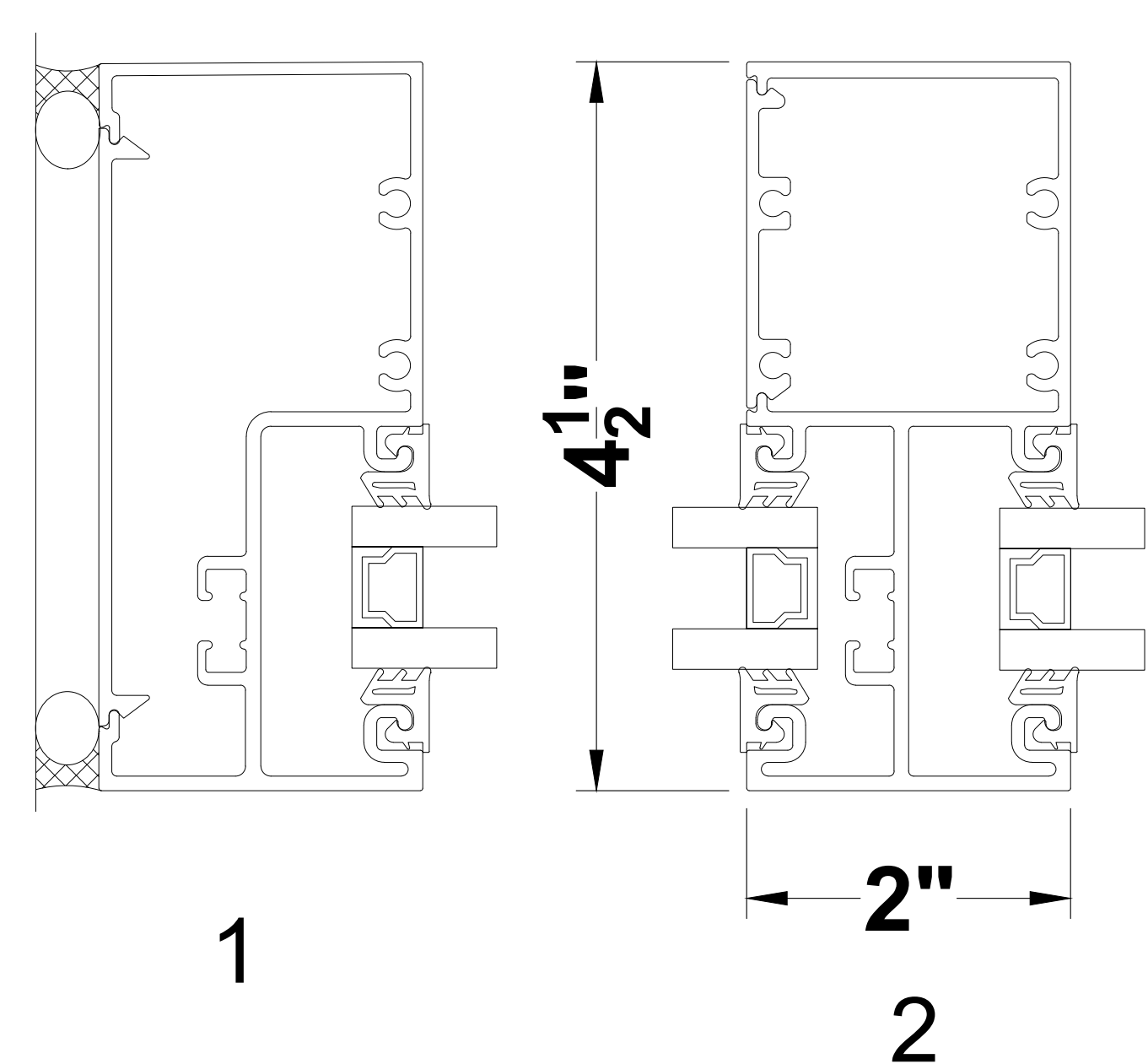
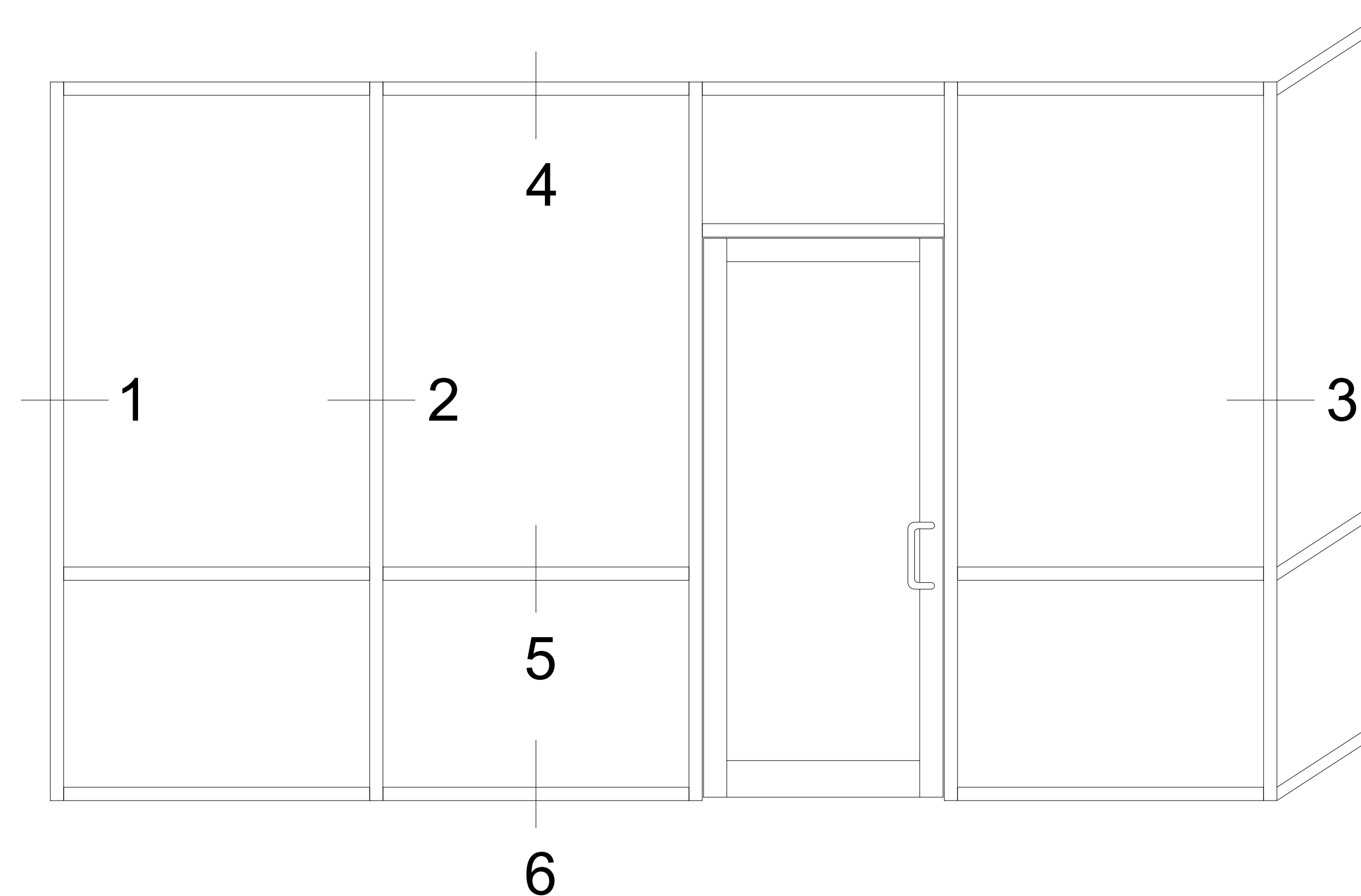


Tubelite reserves the right to change system configuration without prior notice when deemed necessary for product improvements.

Laws and building & safety codes governing the design and use of glazed entrance, window and curtain wall systems vary widely. Tubelite does not control the selection of product configurations, operating hardware or glazing materials, and assumes no responsibility thereof.

Standard Inside Glazed Outboard Plane Details

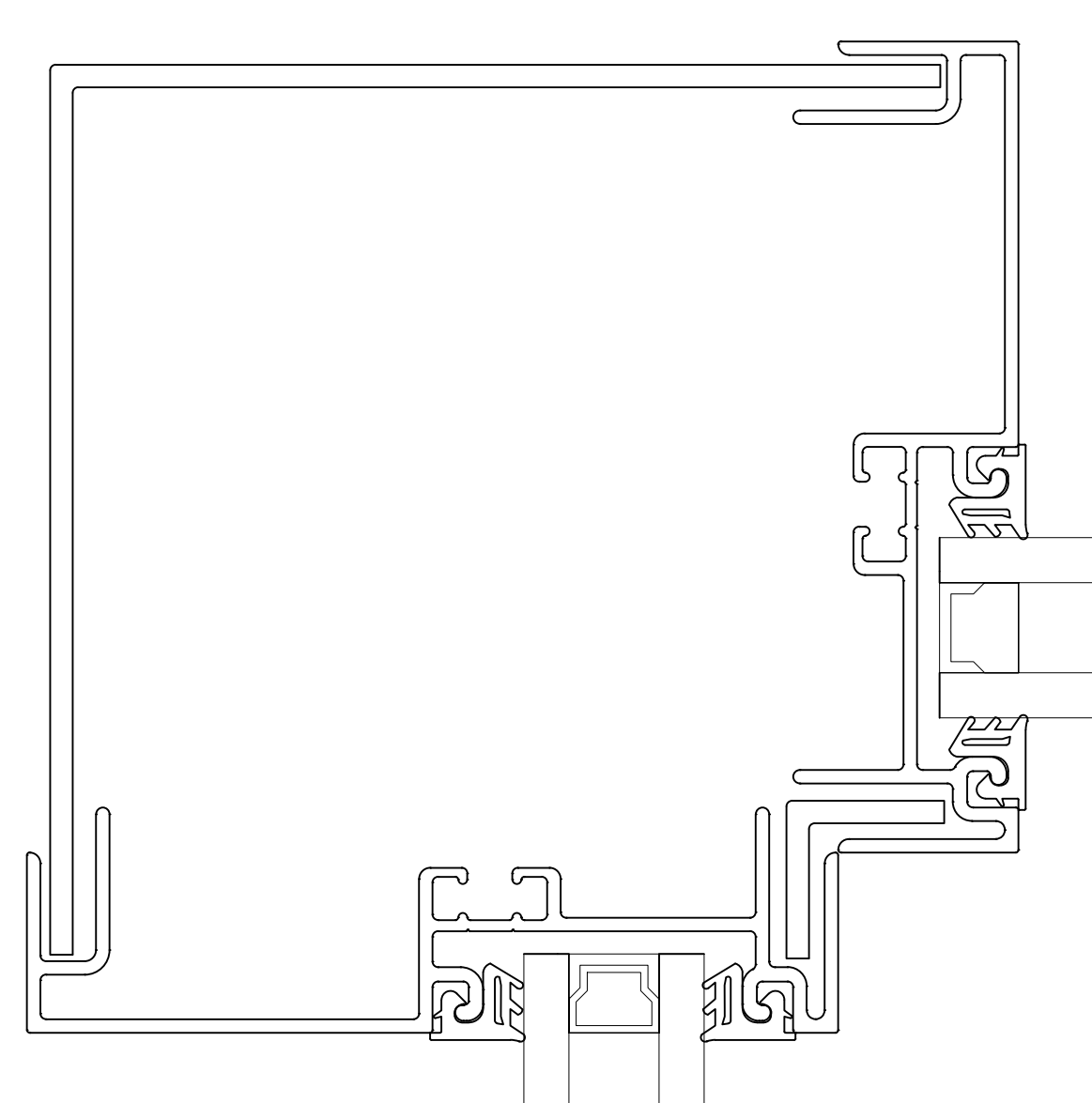
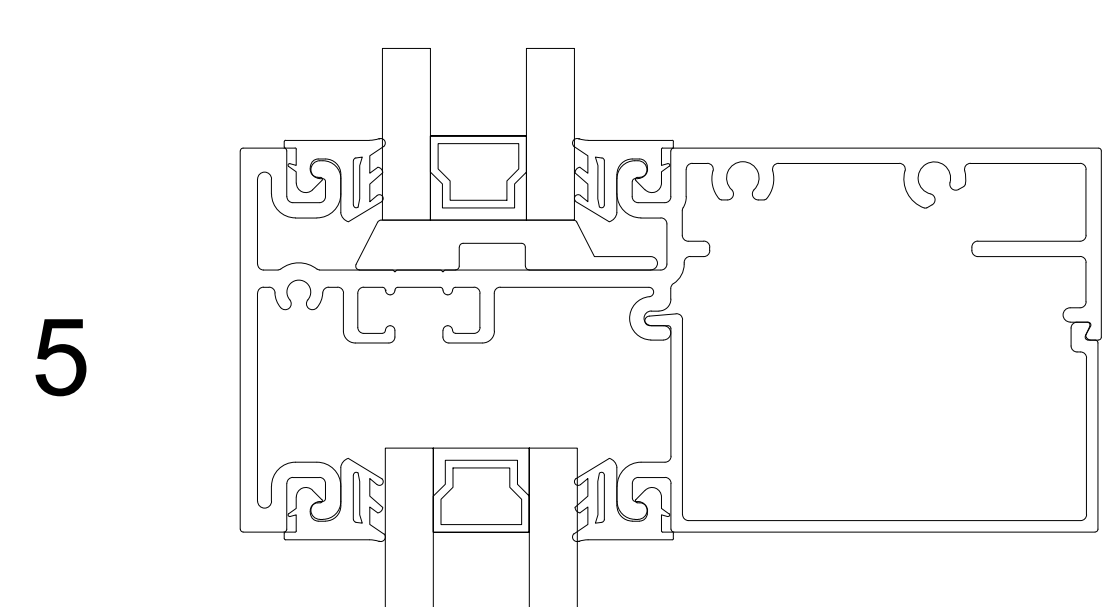
1/4 scale



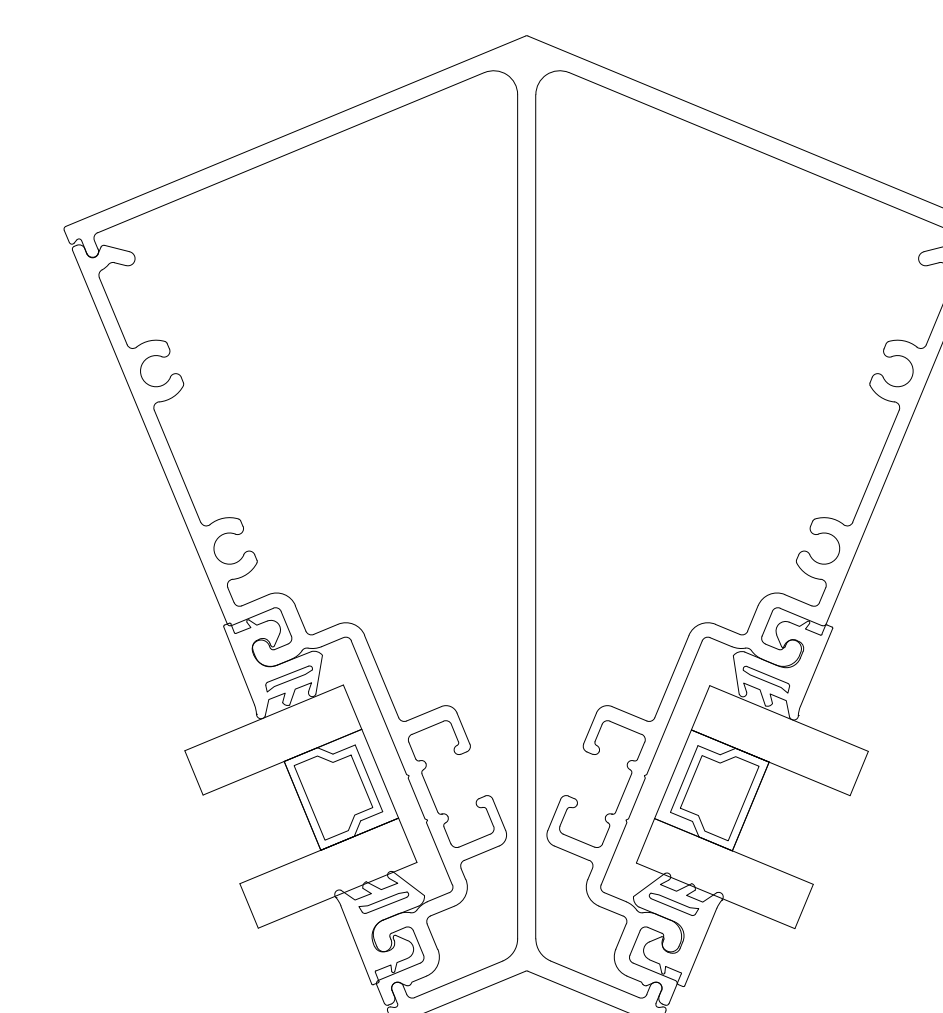
3

3A

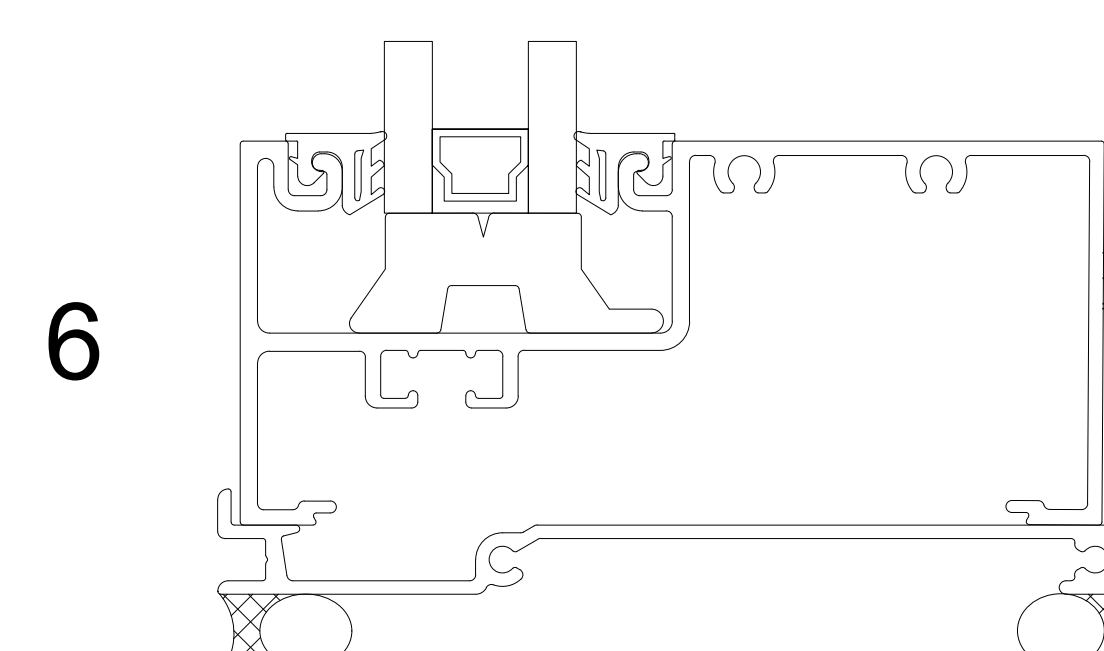
3B



3C



3D



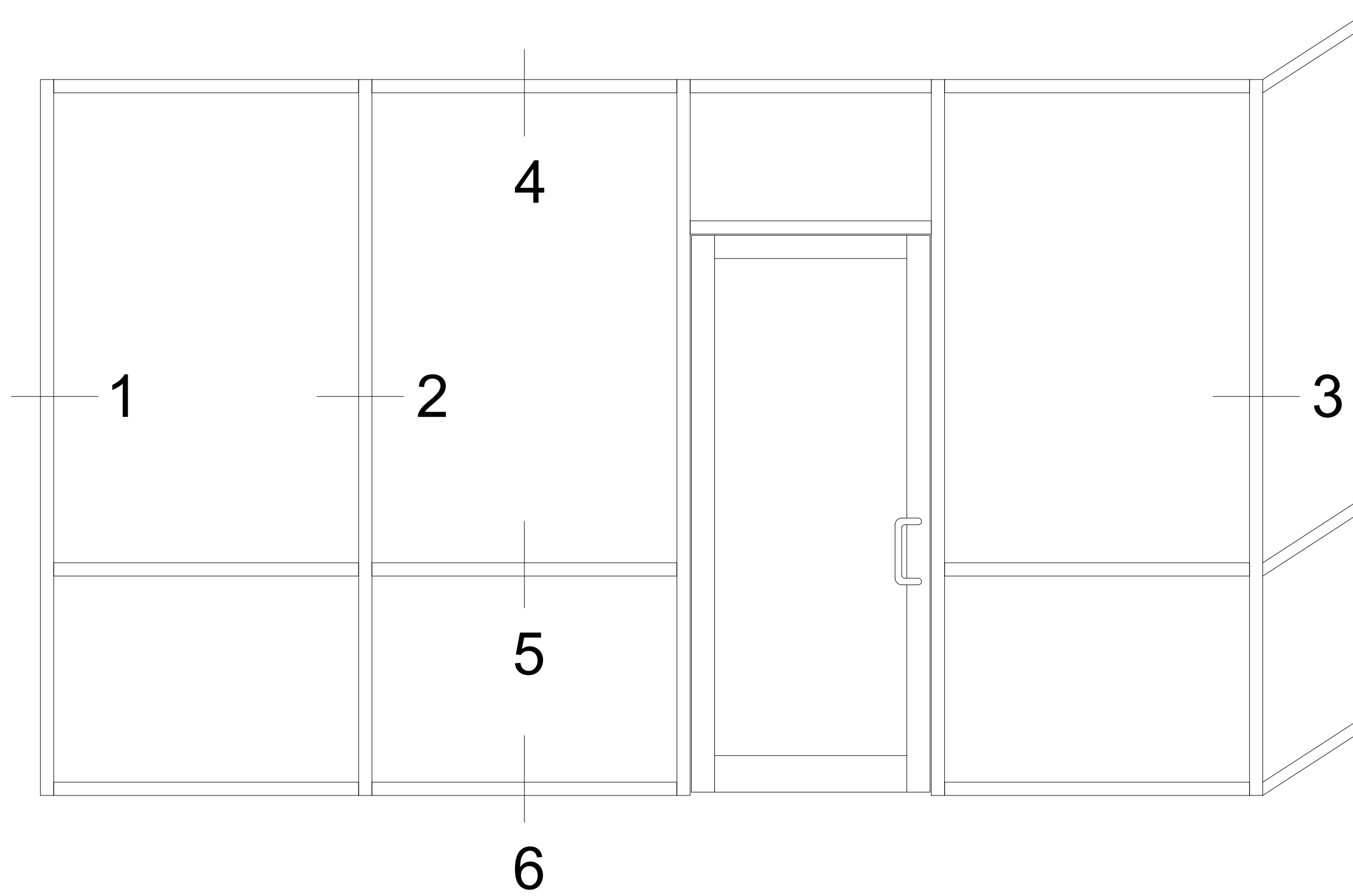
6



MARCH 2023



For specific product applications, contact your Tubelite representative.
 Details on this page represent standard details found on our website.
 For more options, visit our website at www.tubeliteinc.com/14000-io-series-multiplane-storefront-framing/

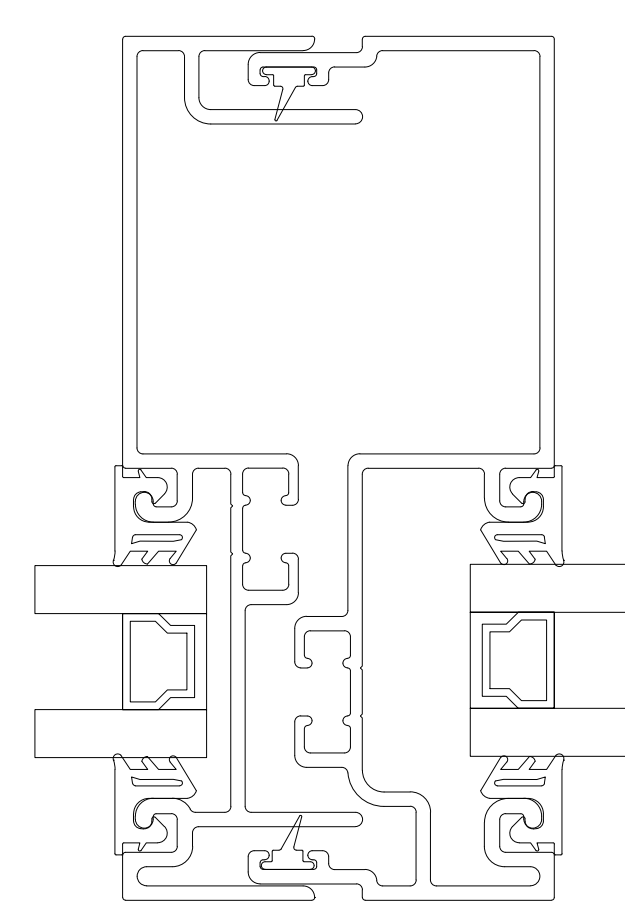
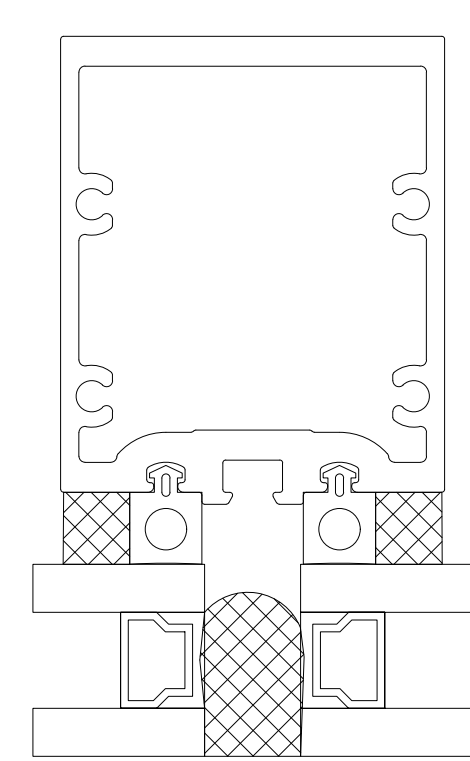
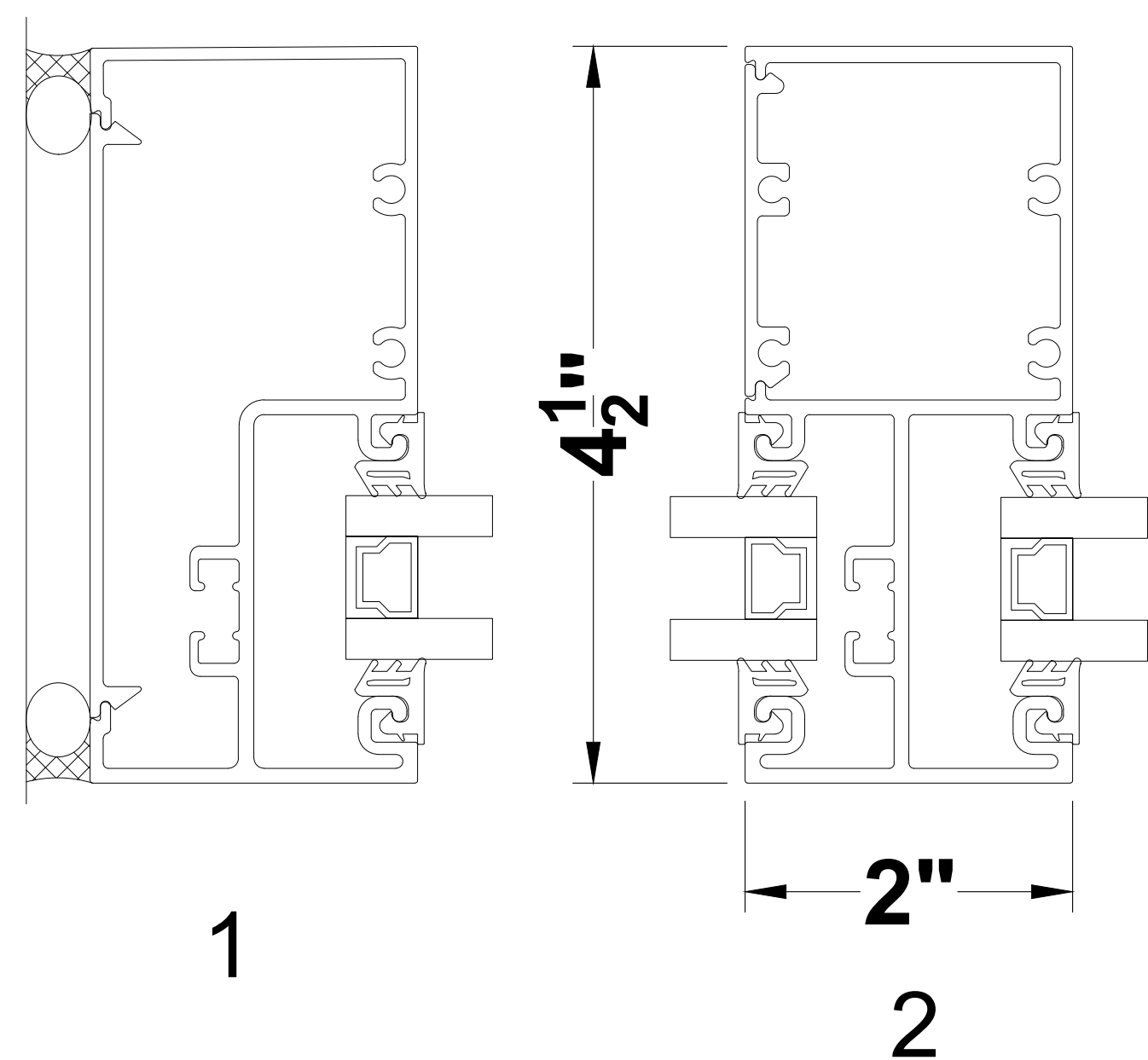


Tubelite reserves the right to change system configuration without prior notice when deemed necessary for product improvements.

Laws and building & safety codes governing the design and use of glazed entrance, window and curtain wall systems vary widely. Tubelite does not control the selection of product configurations, operating hardware or glazing materials, and assumes no responsibility thereof.

Standard Outside Glazed Outboard Plane Details

1/4 scale

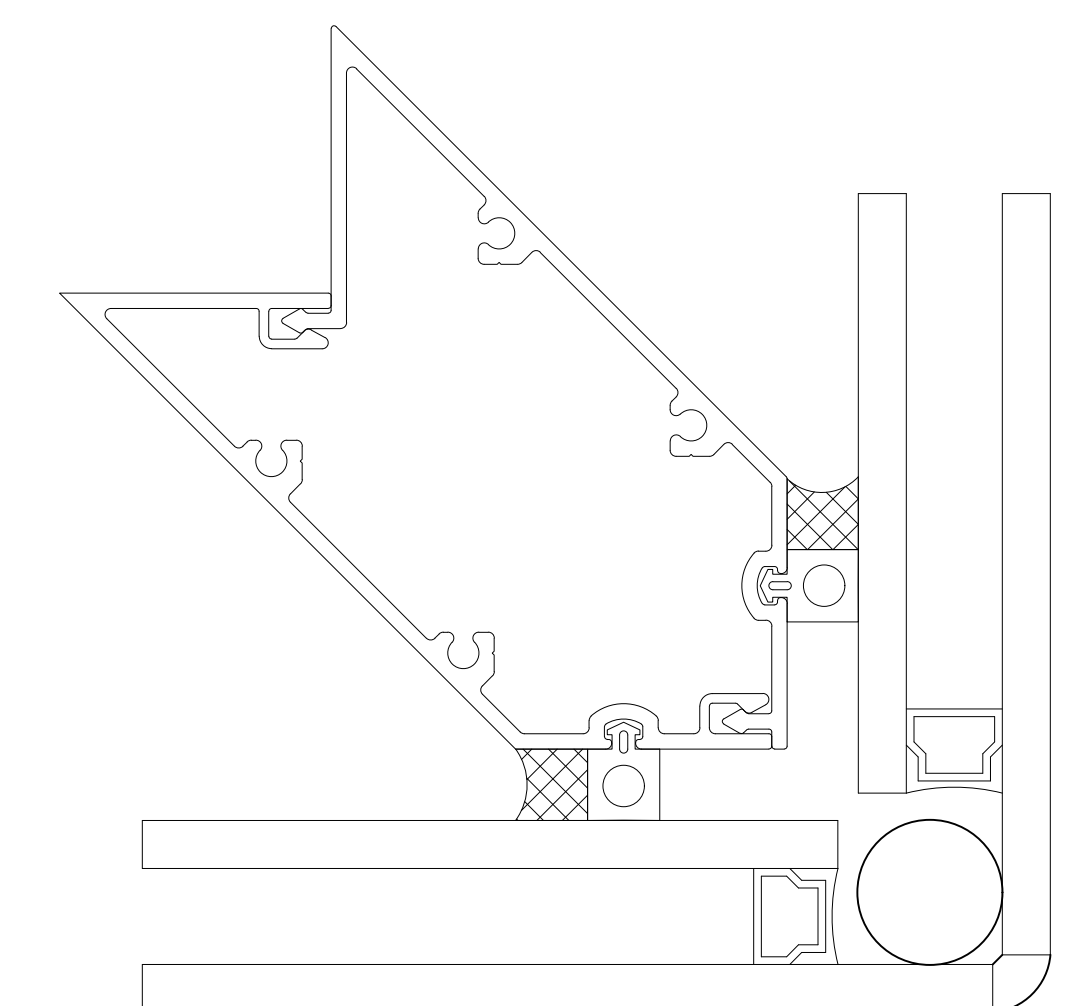
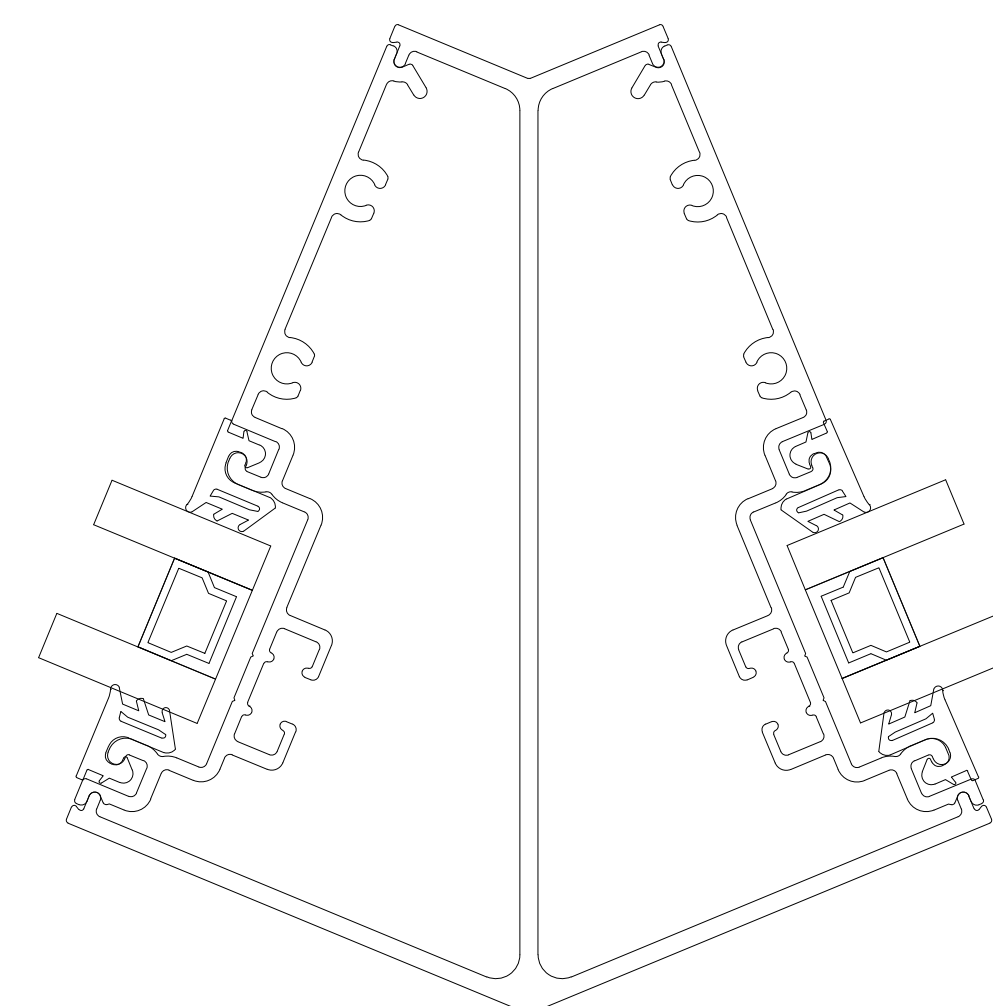
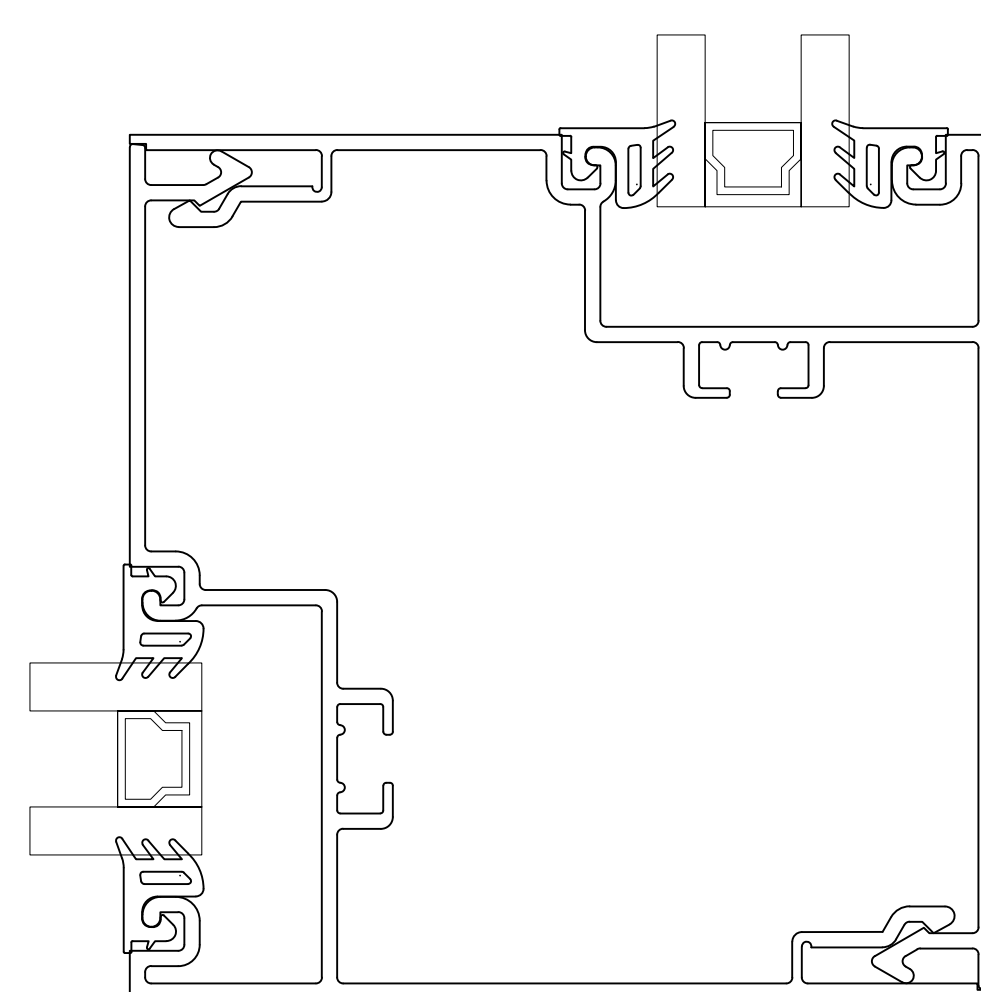
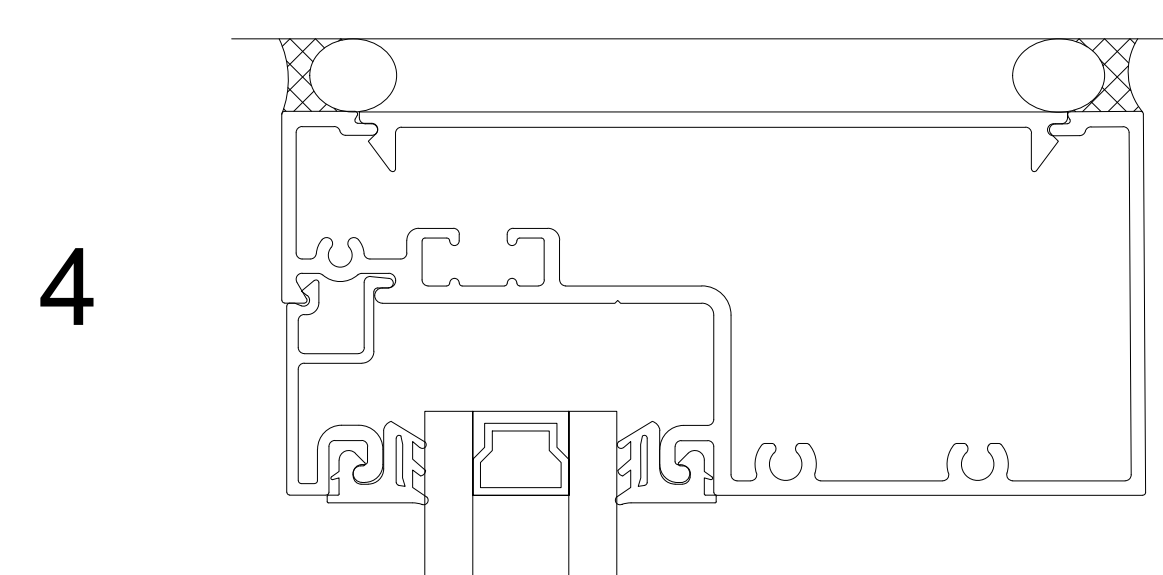


1

2

2A

2B

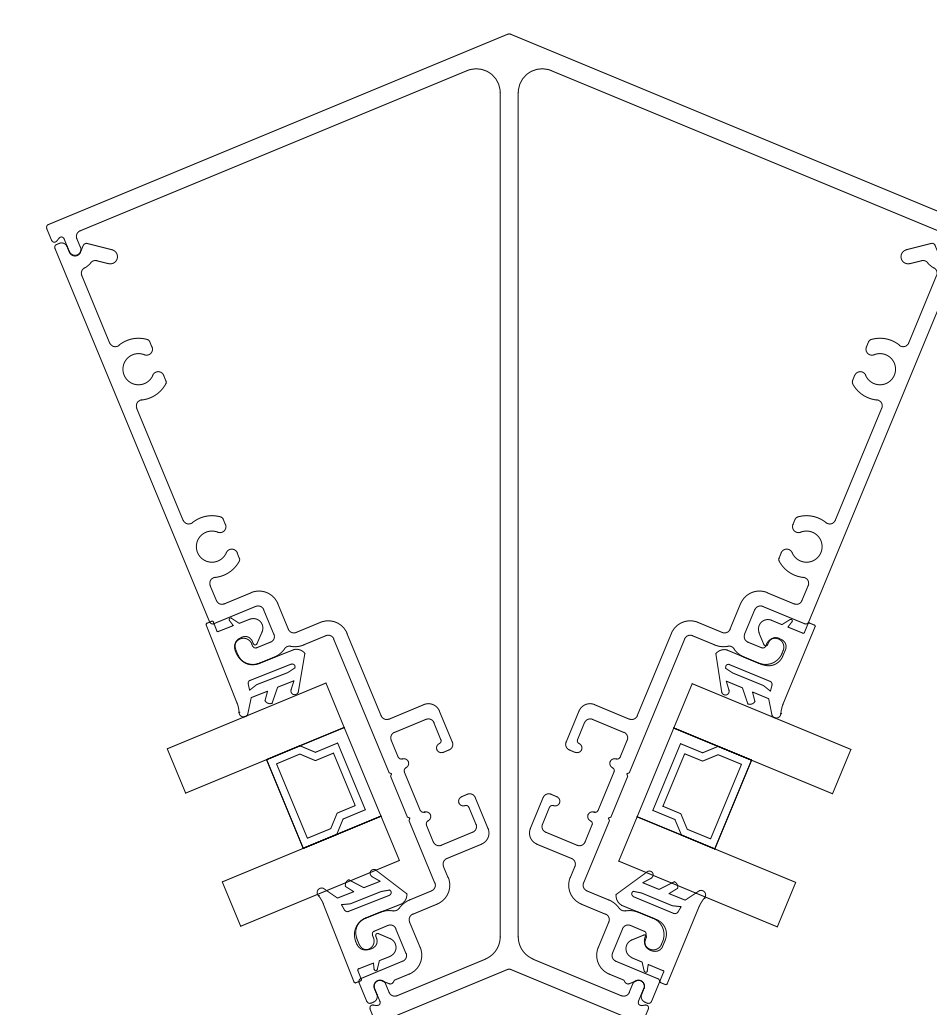
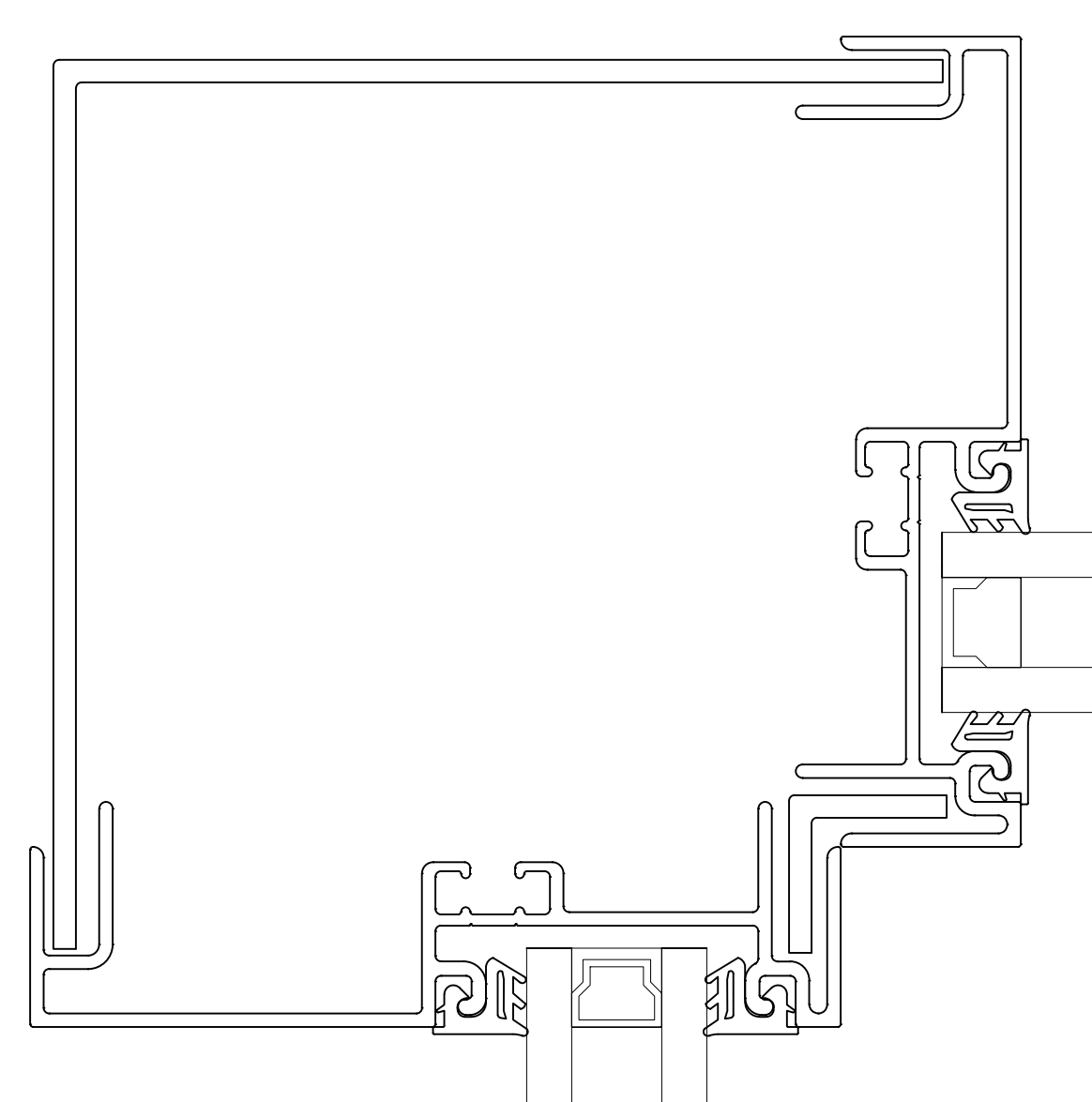
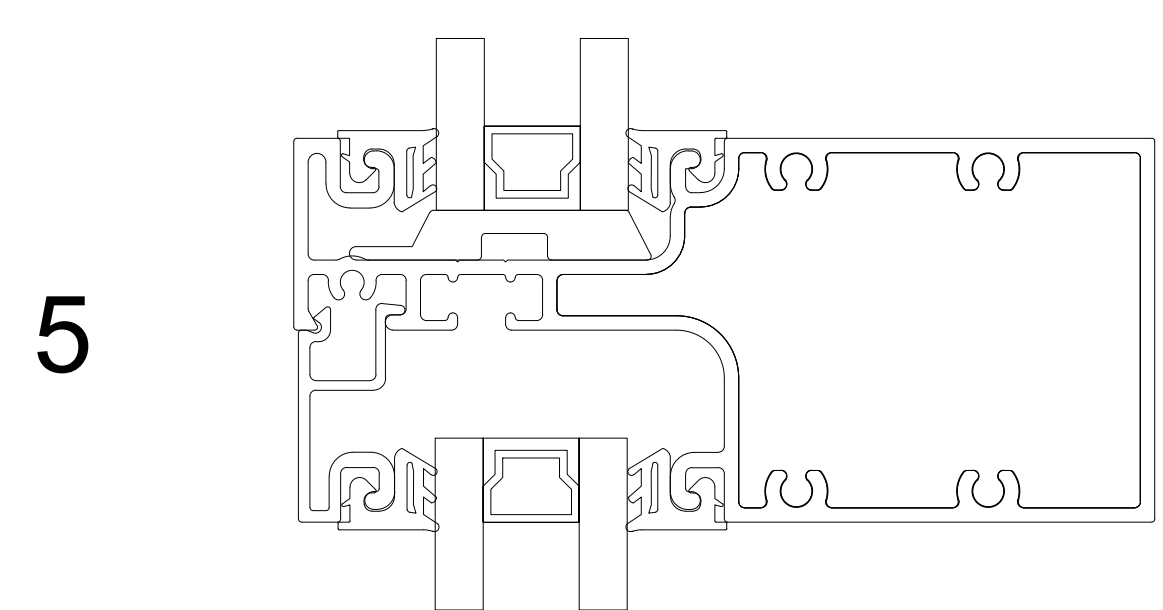


4A

3

3A

3B



5

3C

3D

6



MARCH 2023



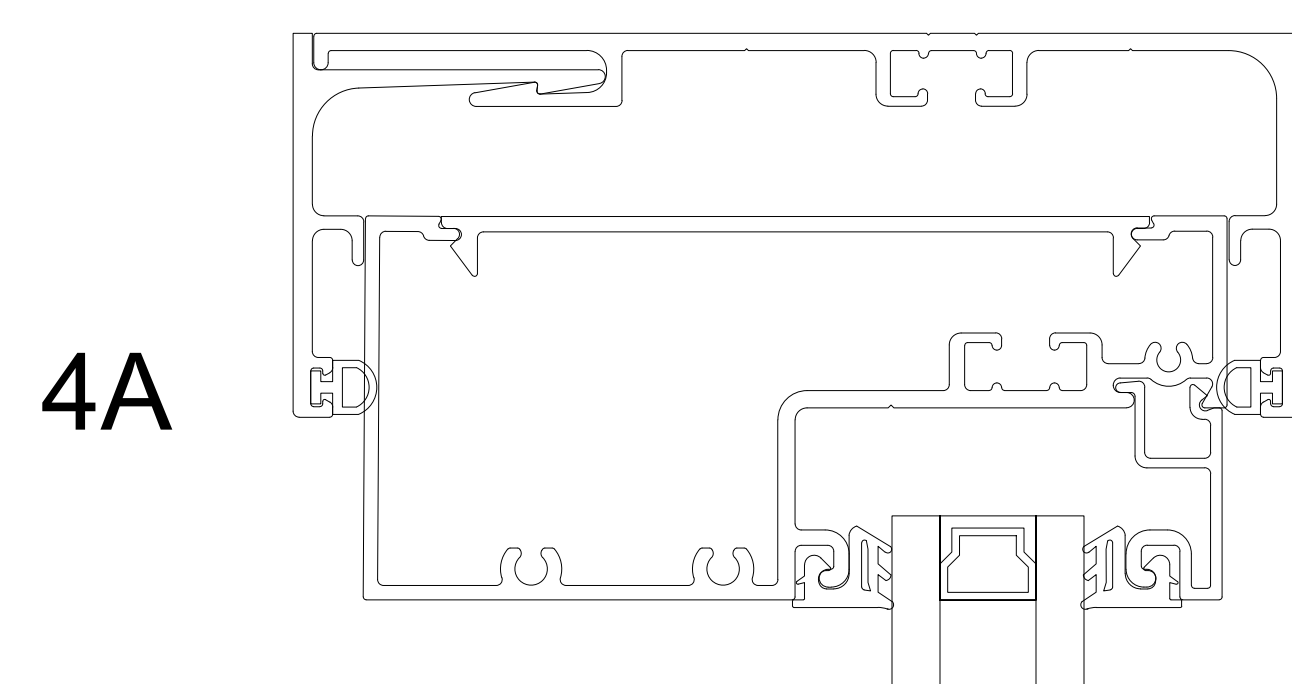
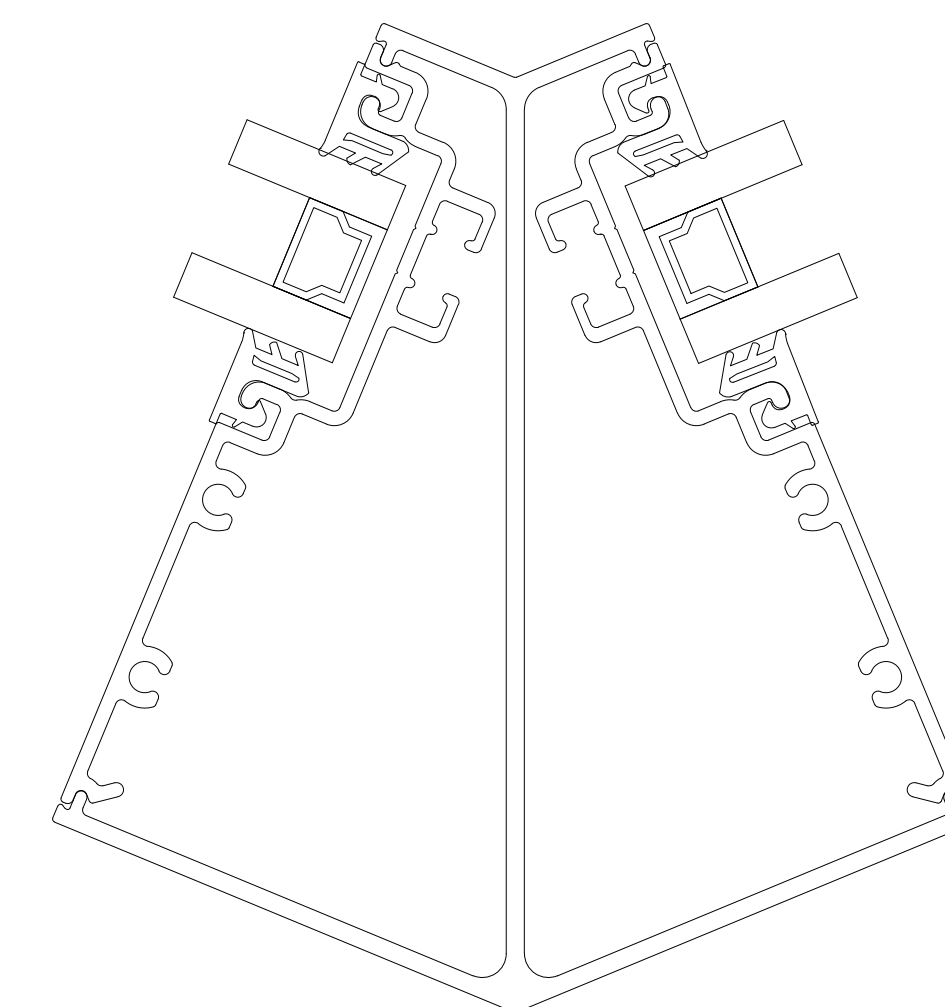
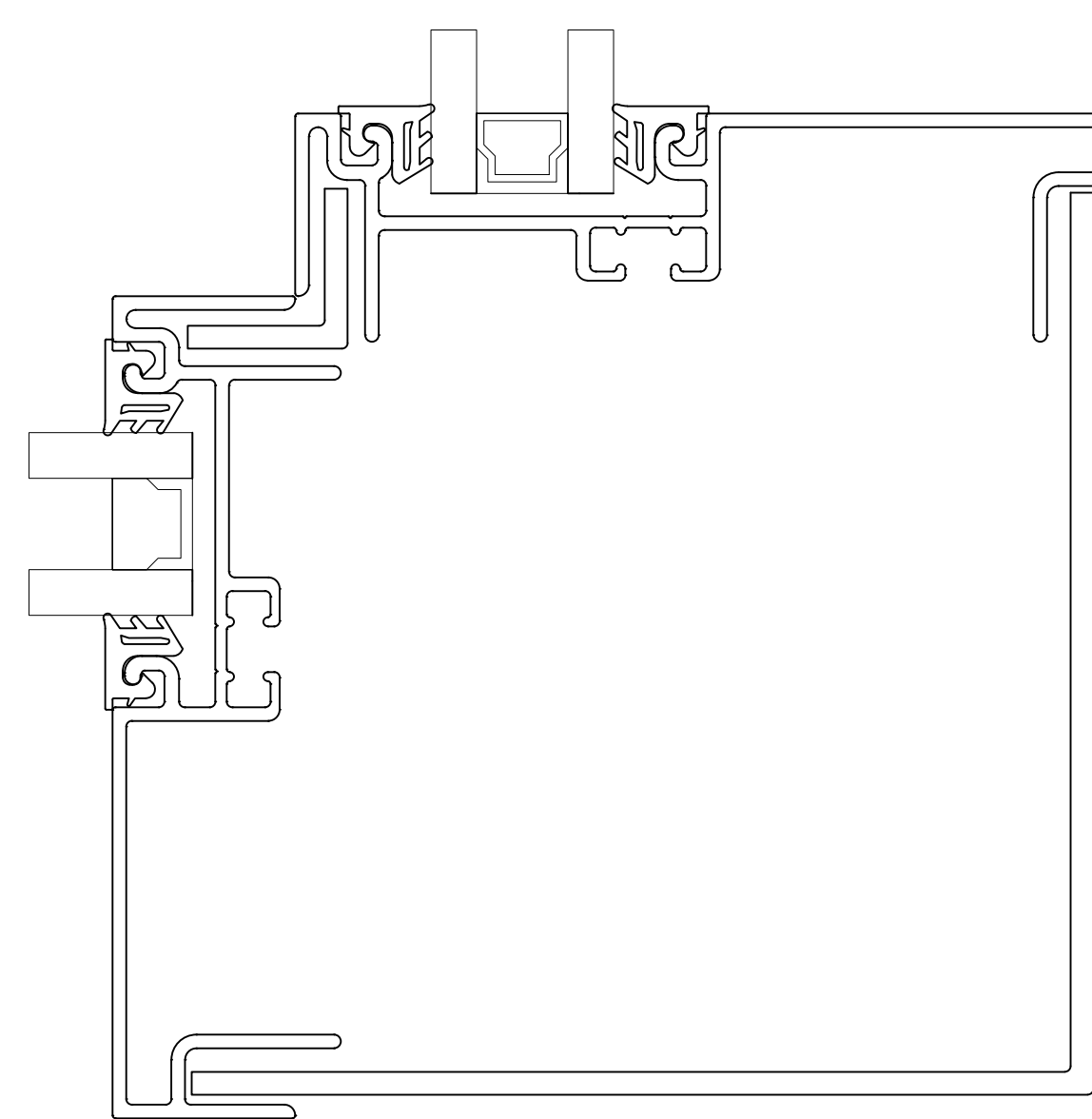
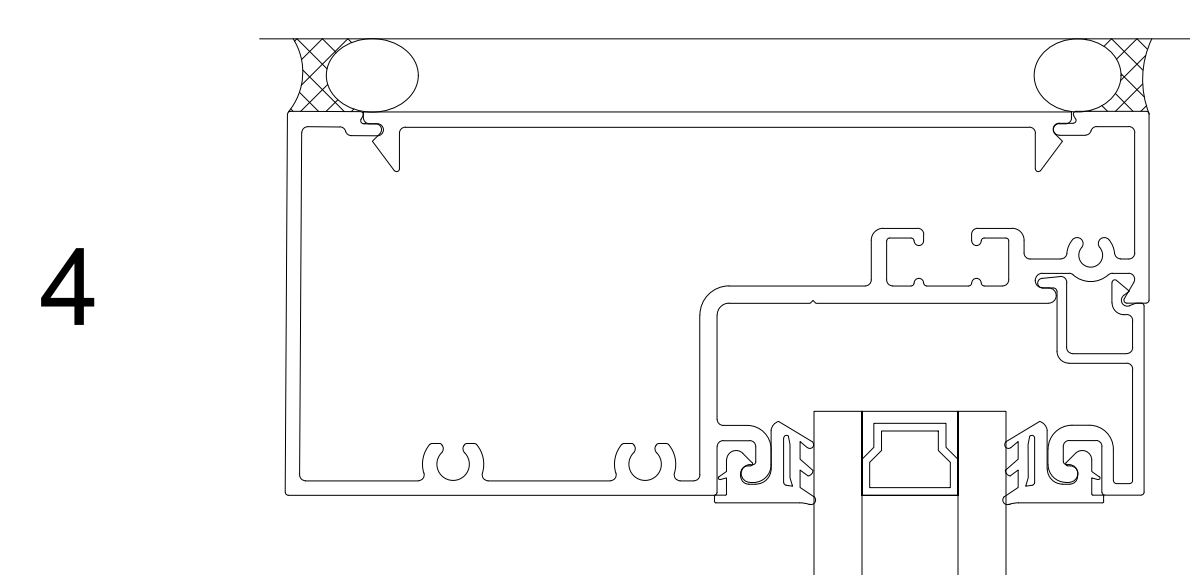
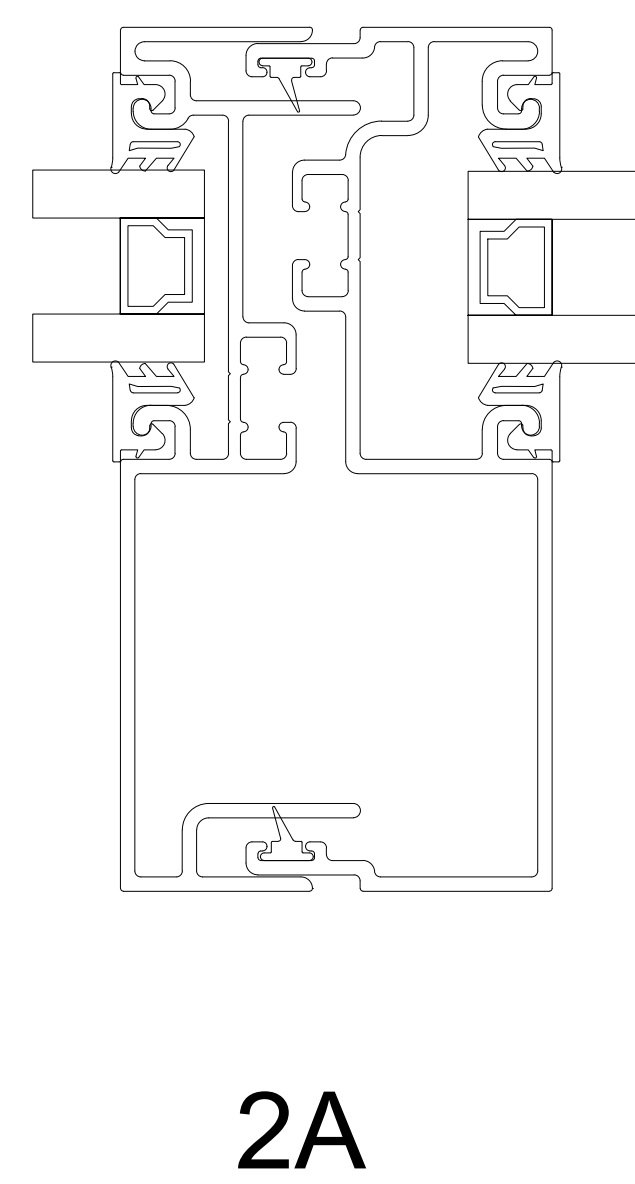
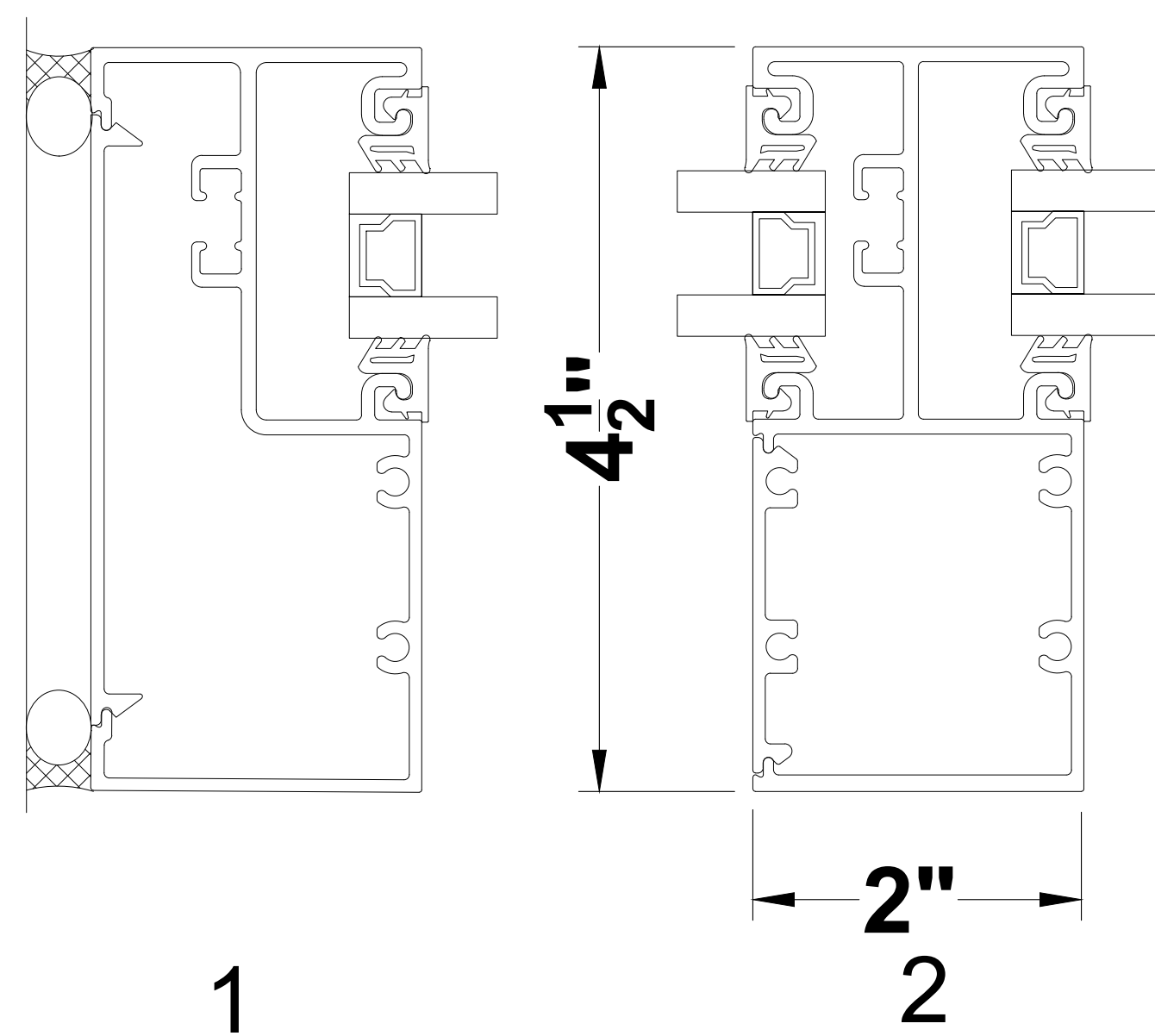
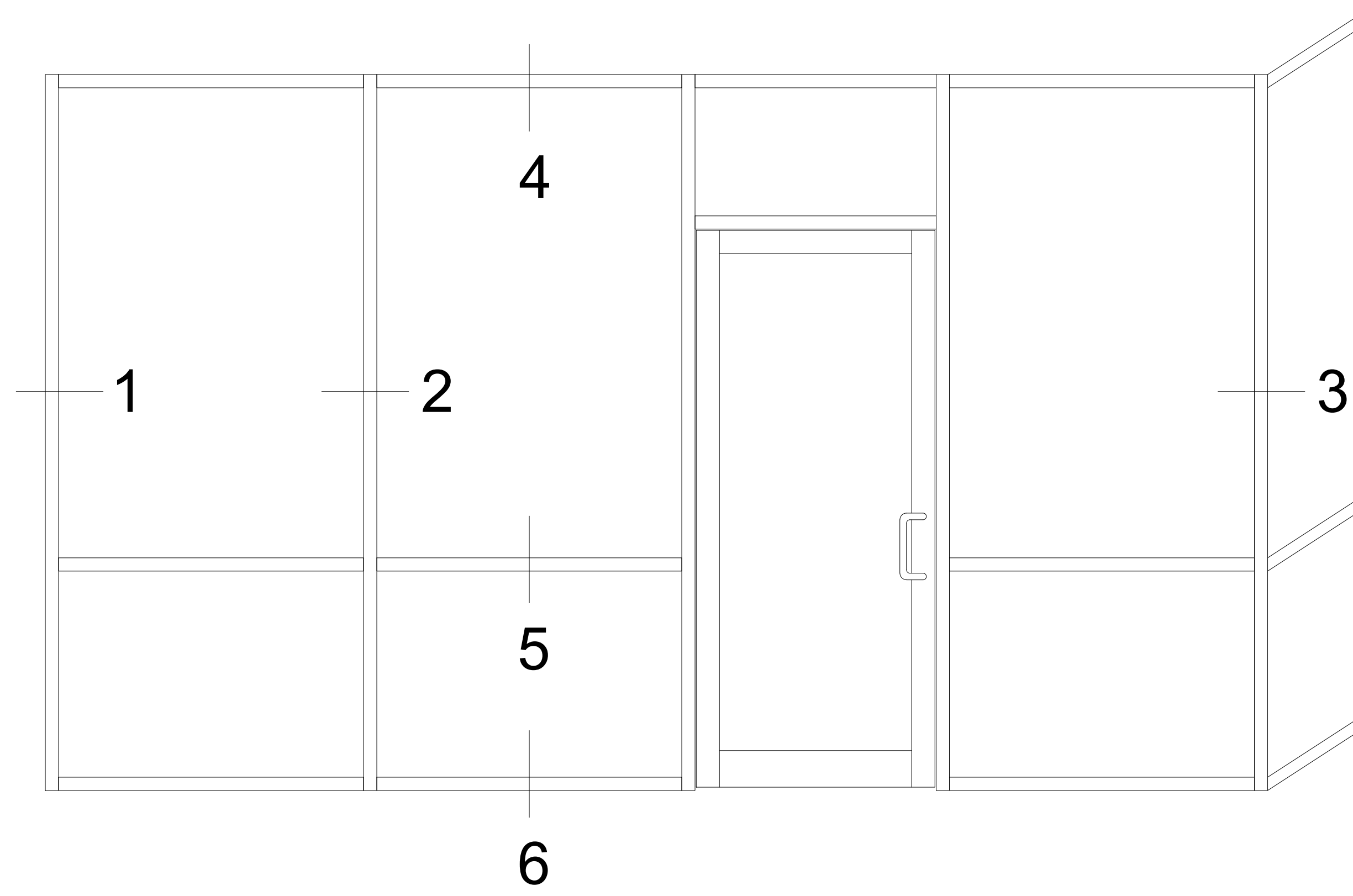
For specific product applications, contact your Tubelite representative.
 Details on this page represent standard details found on our website.
 For more options, visit our website at www.tubeliteinc.com/14000-io-series-multiplane-storefront-framing/

Tubelite reserves the right to change system configuration without prior notice when deemed necessary for product improvements.

Laws and building & safety codes governing the design and use of glazed entrance, window and curtain wall systems vary widely. Tubelite does not control the selection of product configurations, operating hardware or glazing materials, and assumes no responsibility thereof.

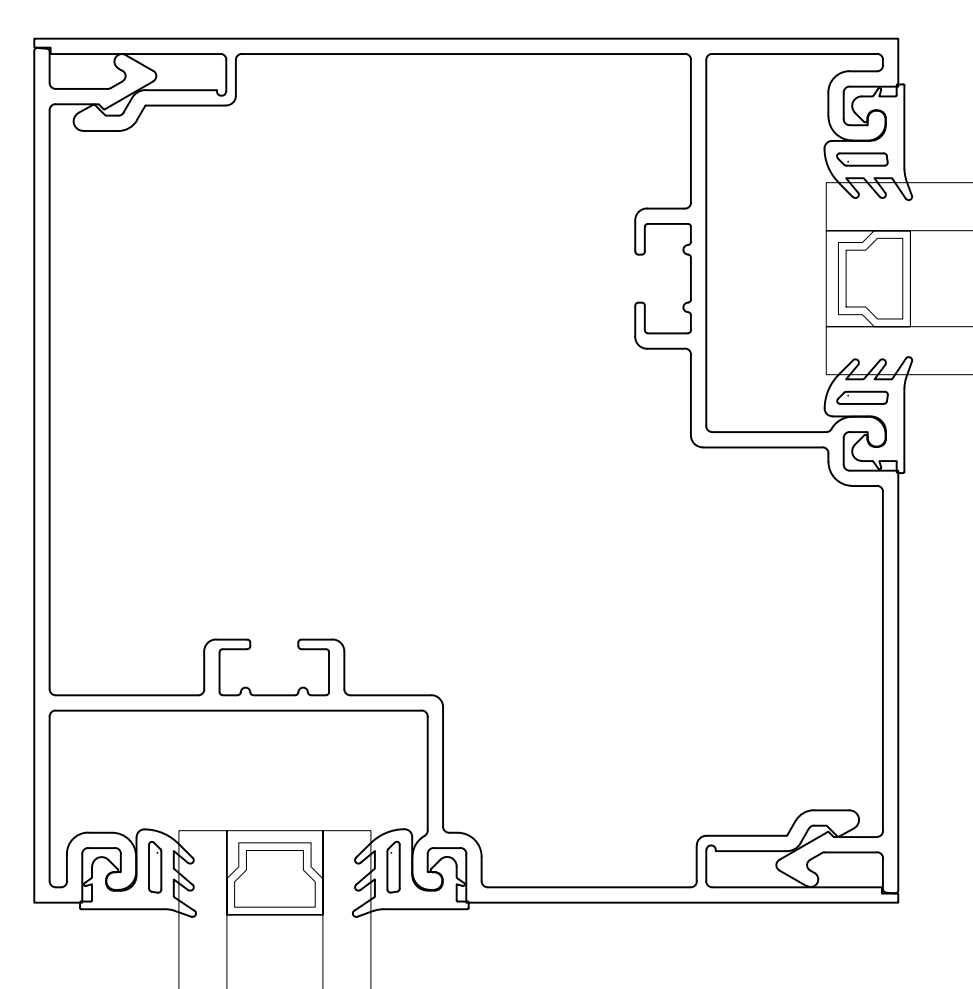
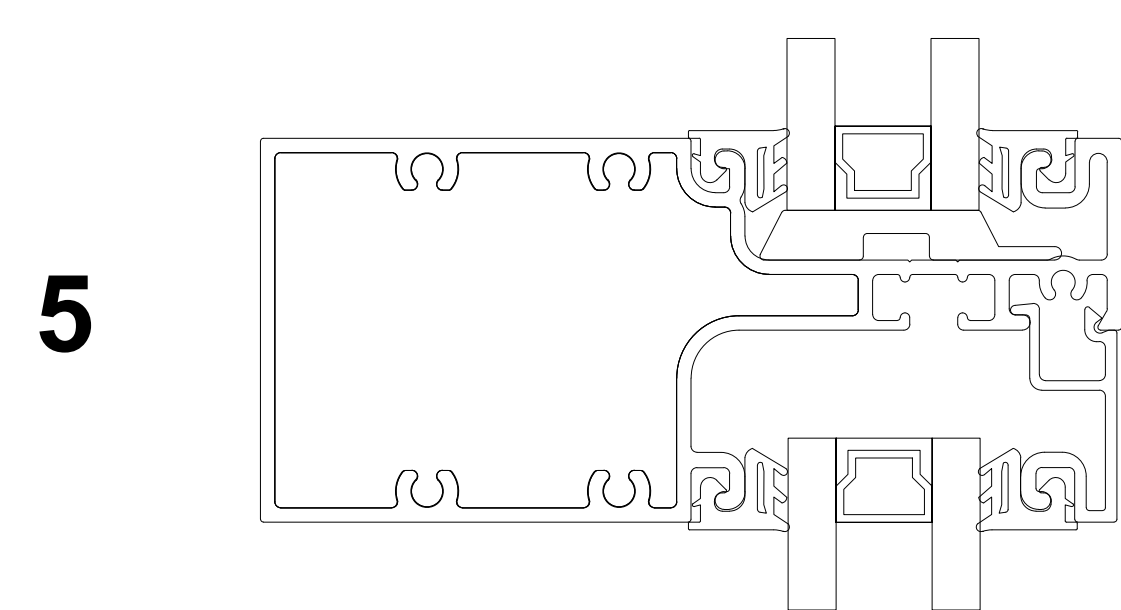
Standard Inside Glazed Inboard Plane Details

1/4 scale

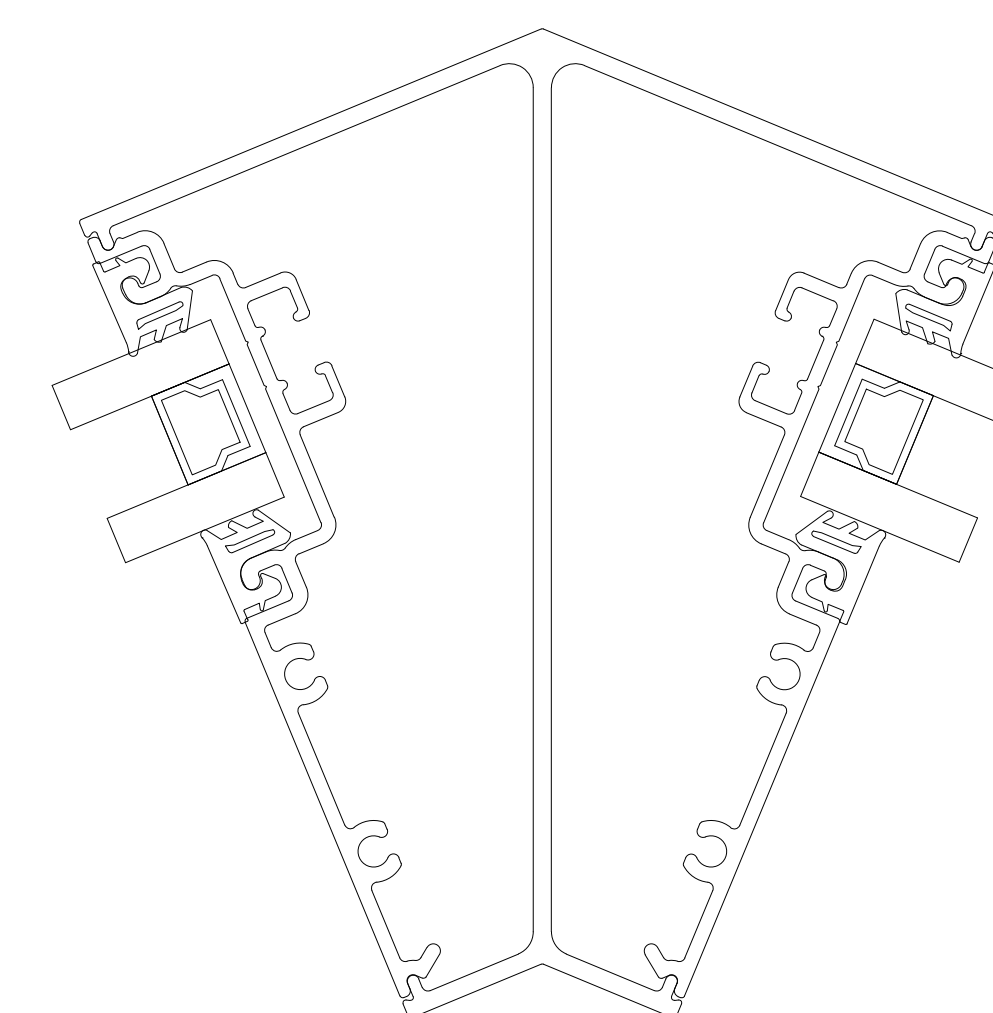


3

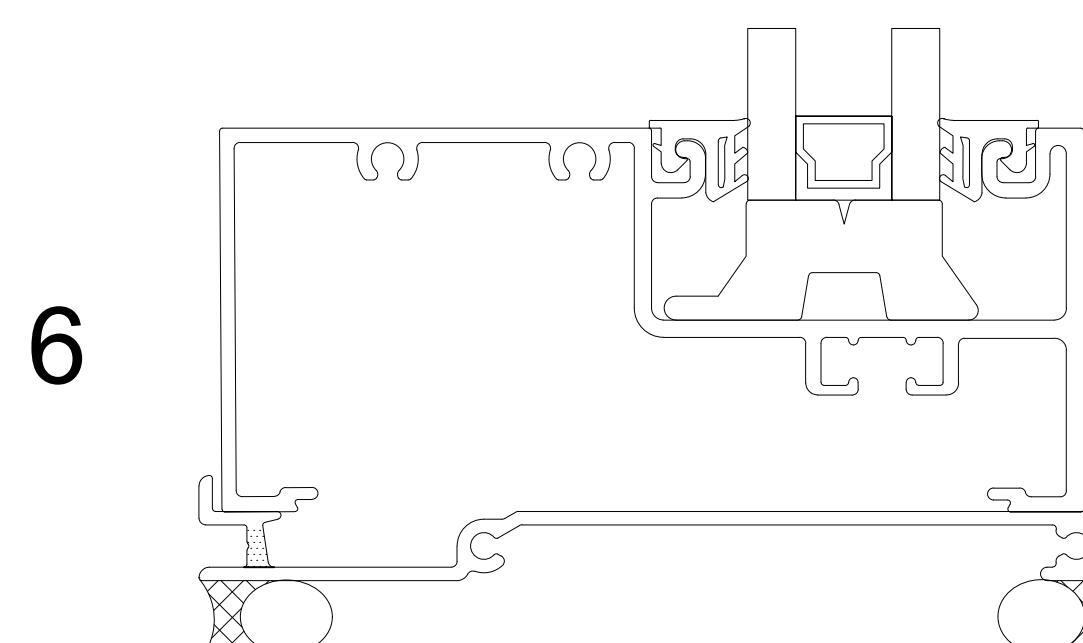
3A



3B



3C



6



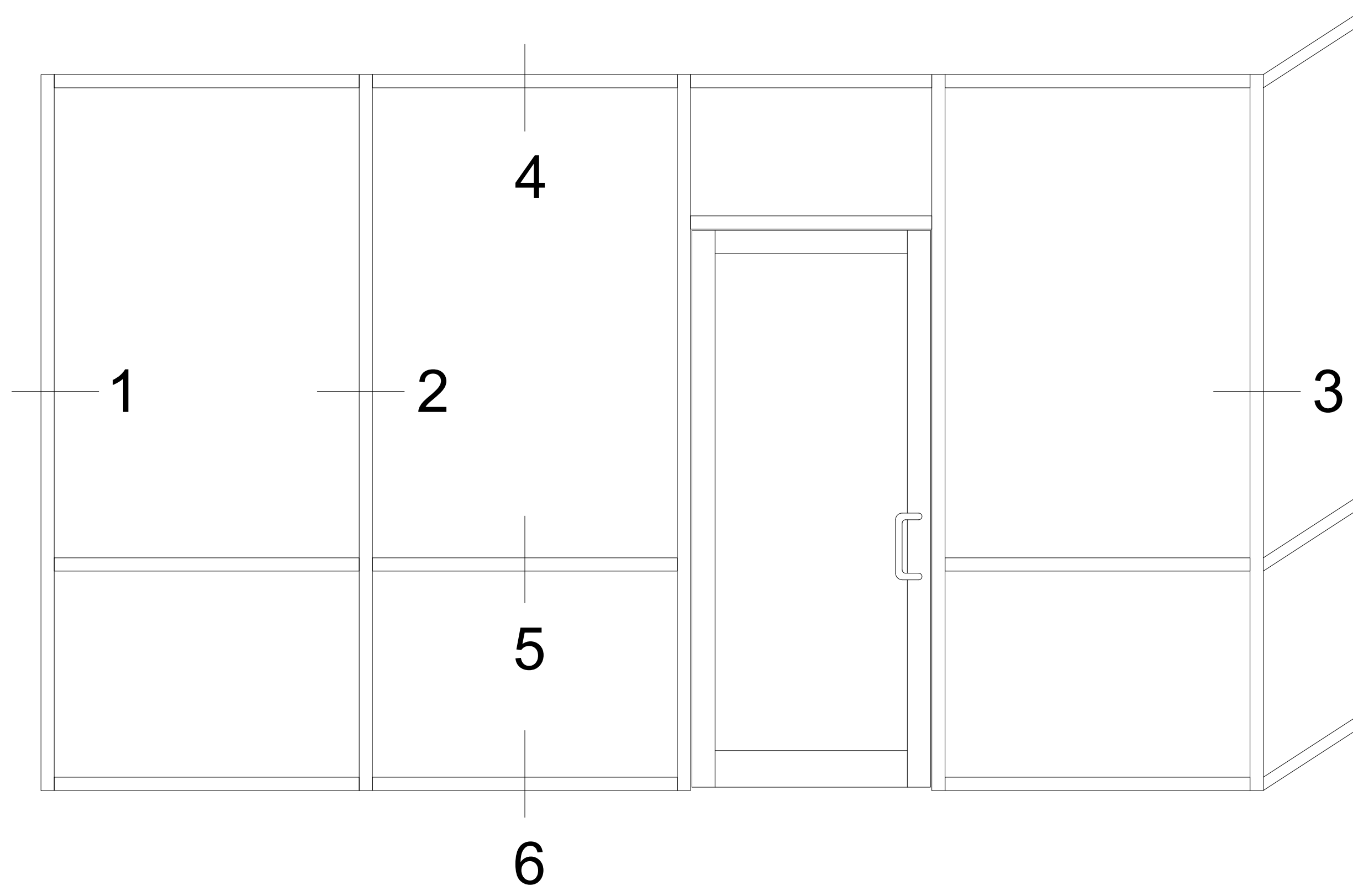
MARCH 2023



For specific product applications, contact your Tubelite representative.

Details on this page represent standard details found on our website.

For more options, visit our website at www.tubeliteinc.com/14000-io-series-multiplane-storefront-framing/

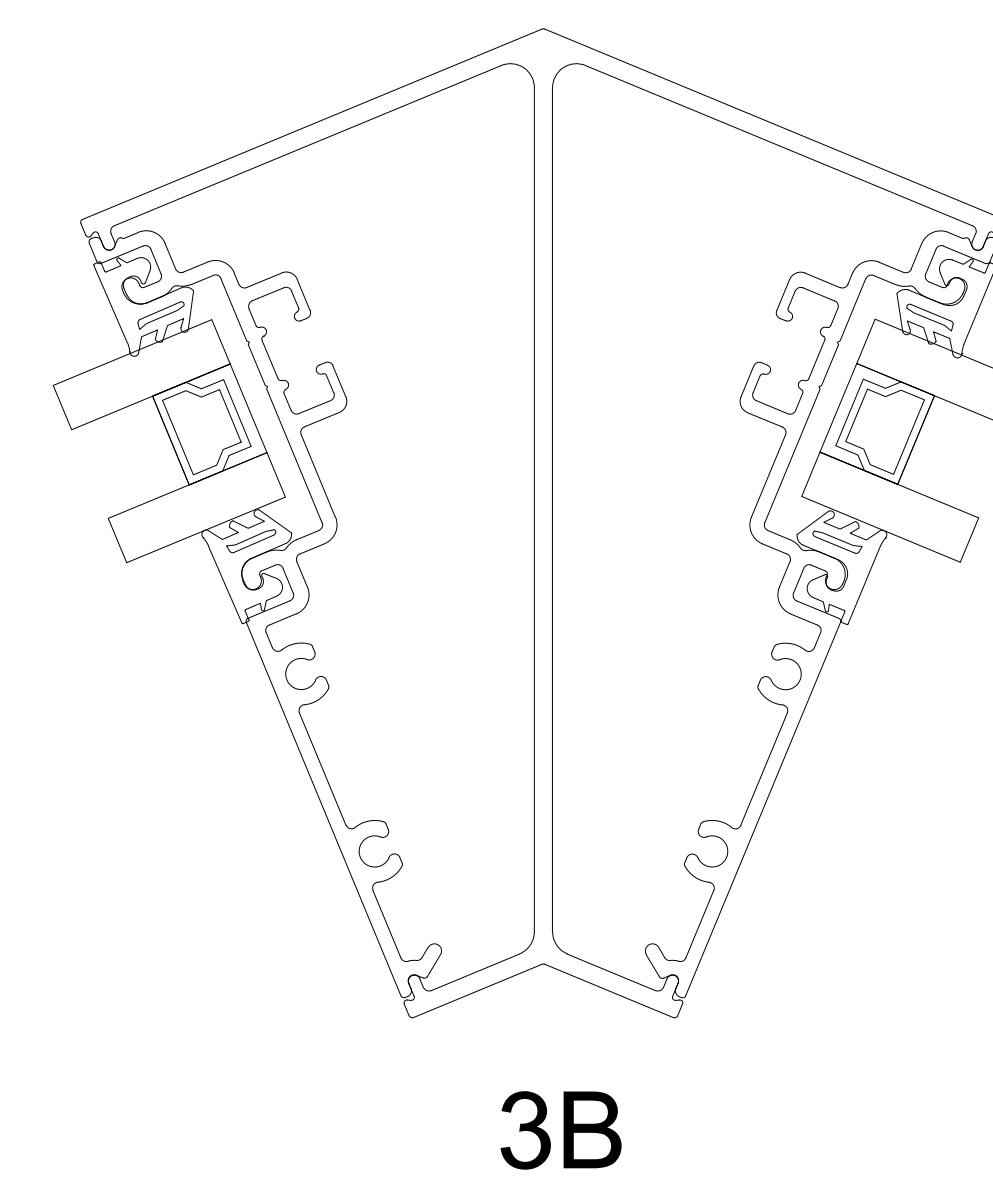
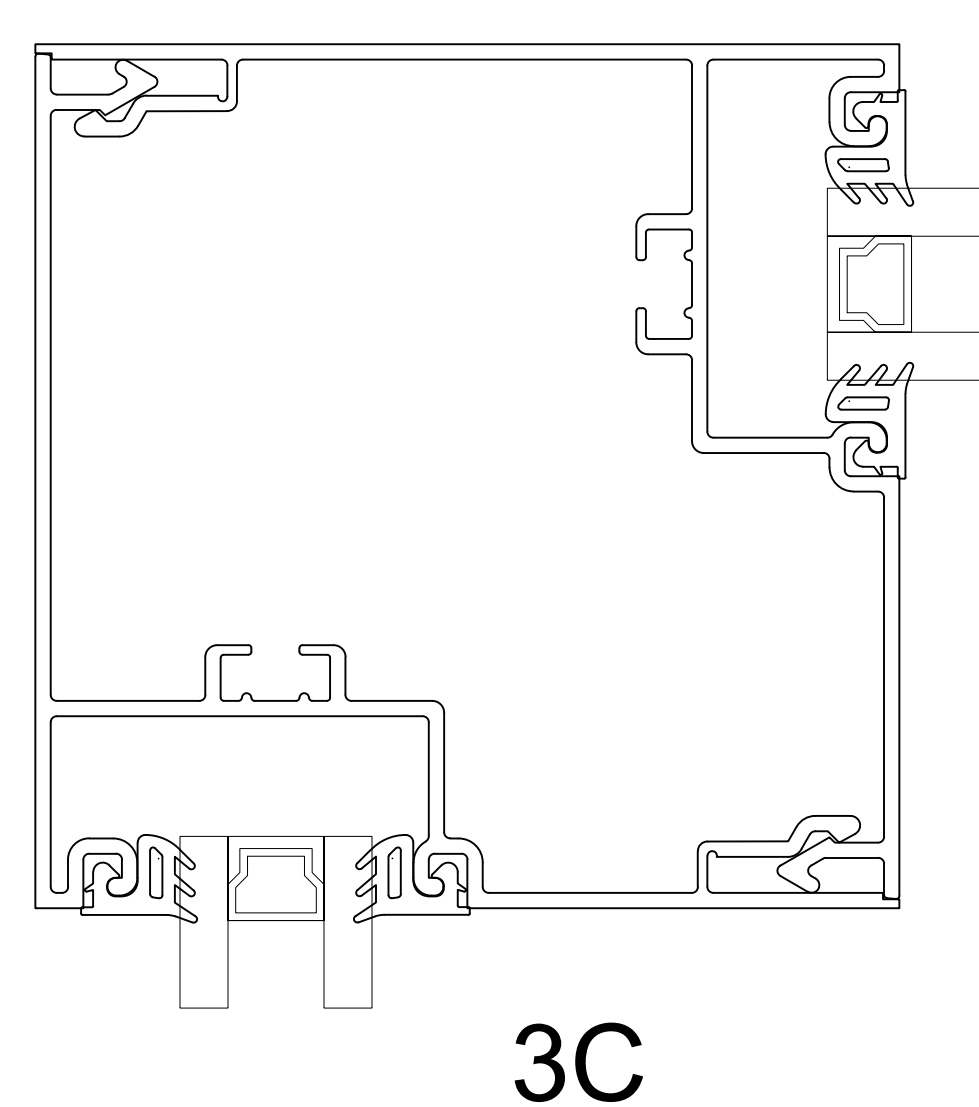
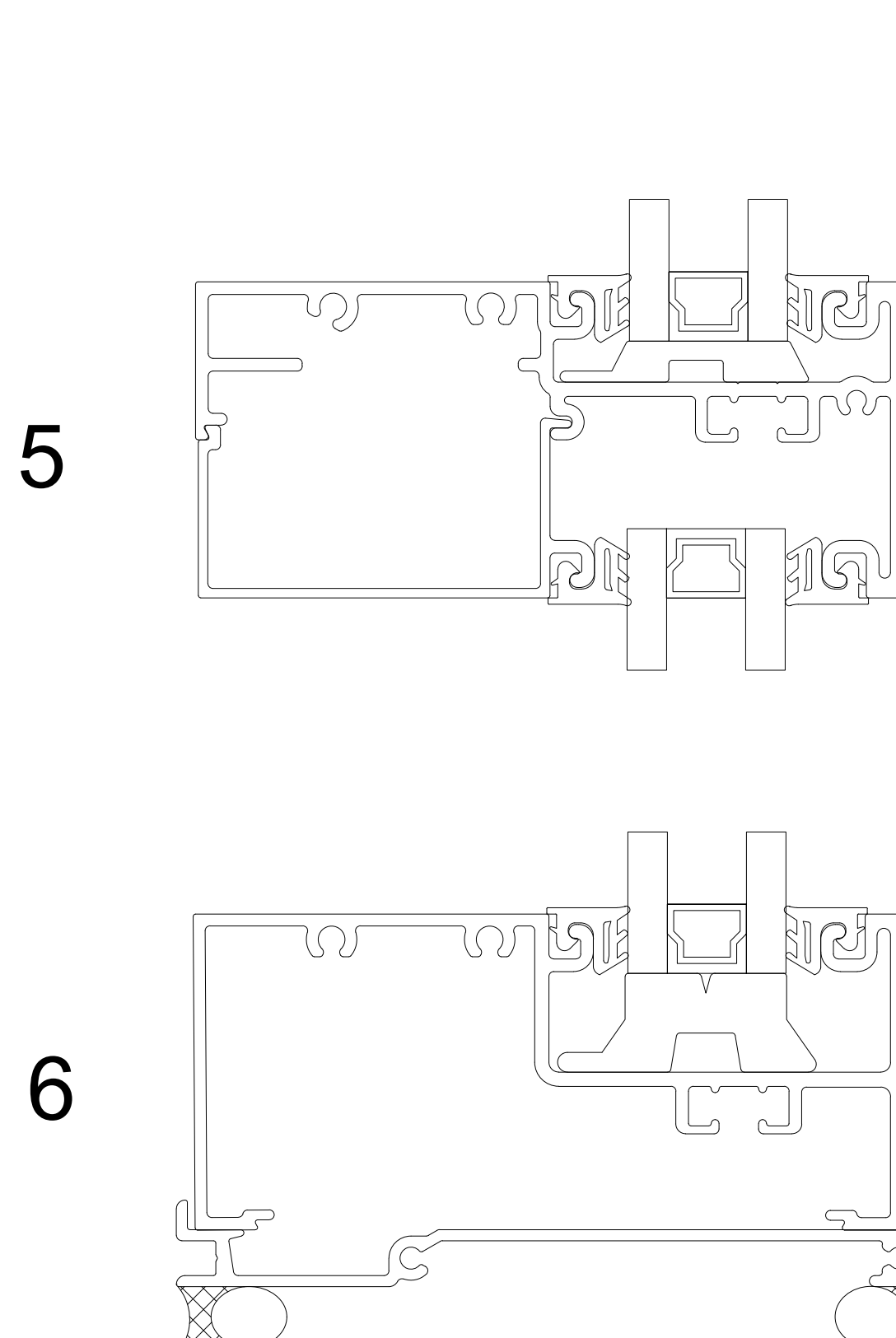
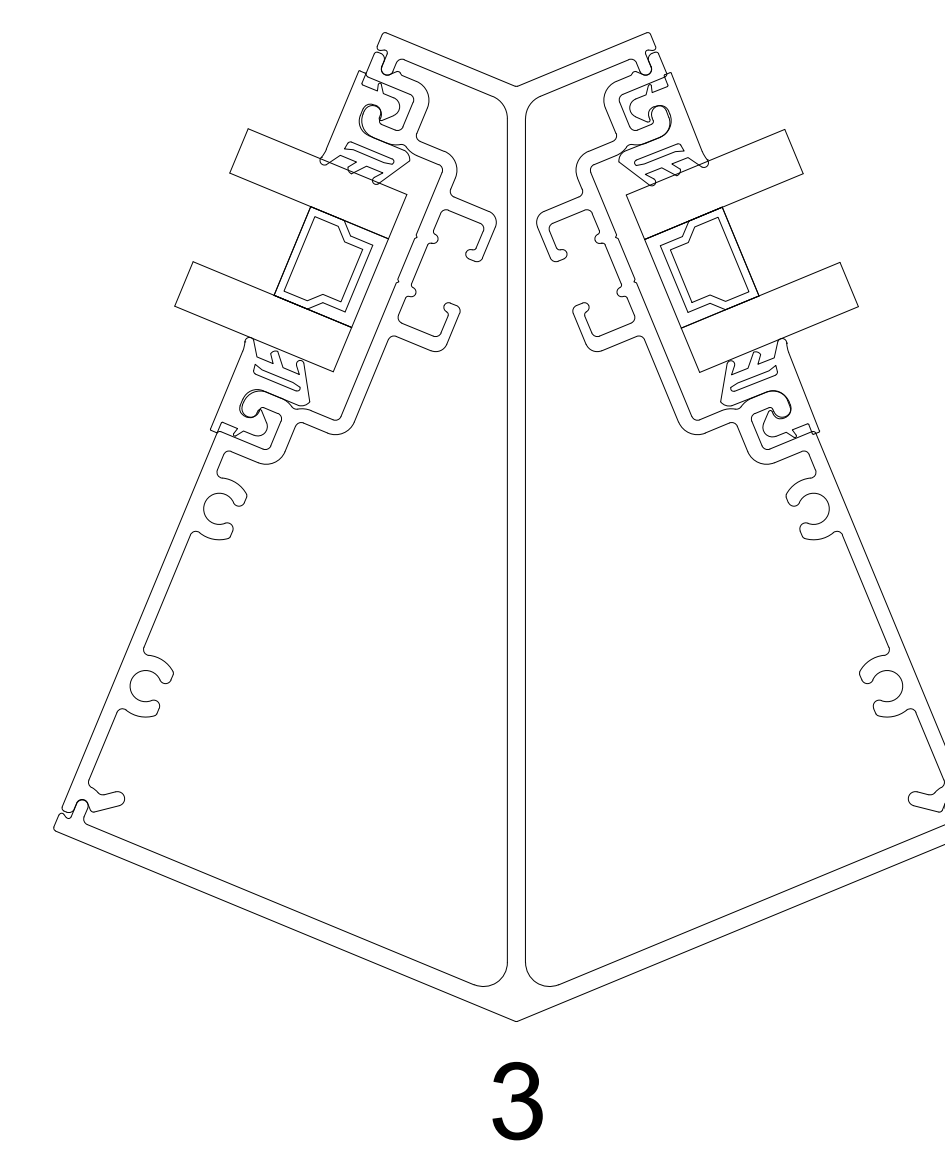
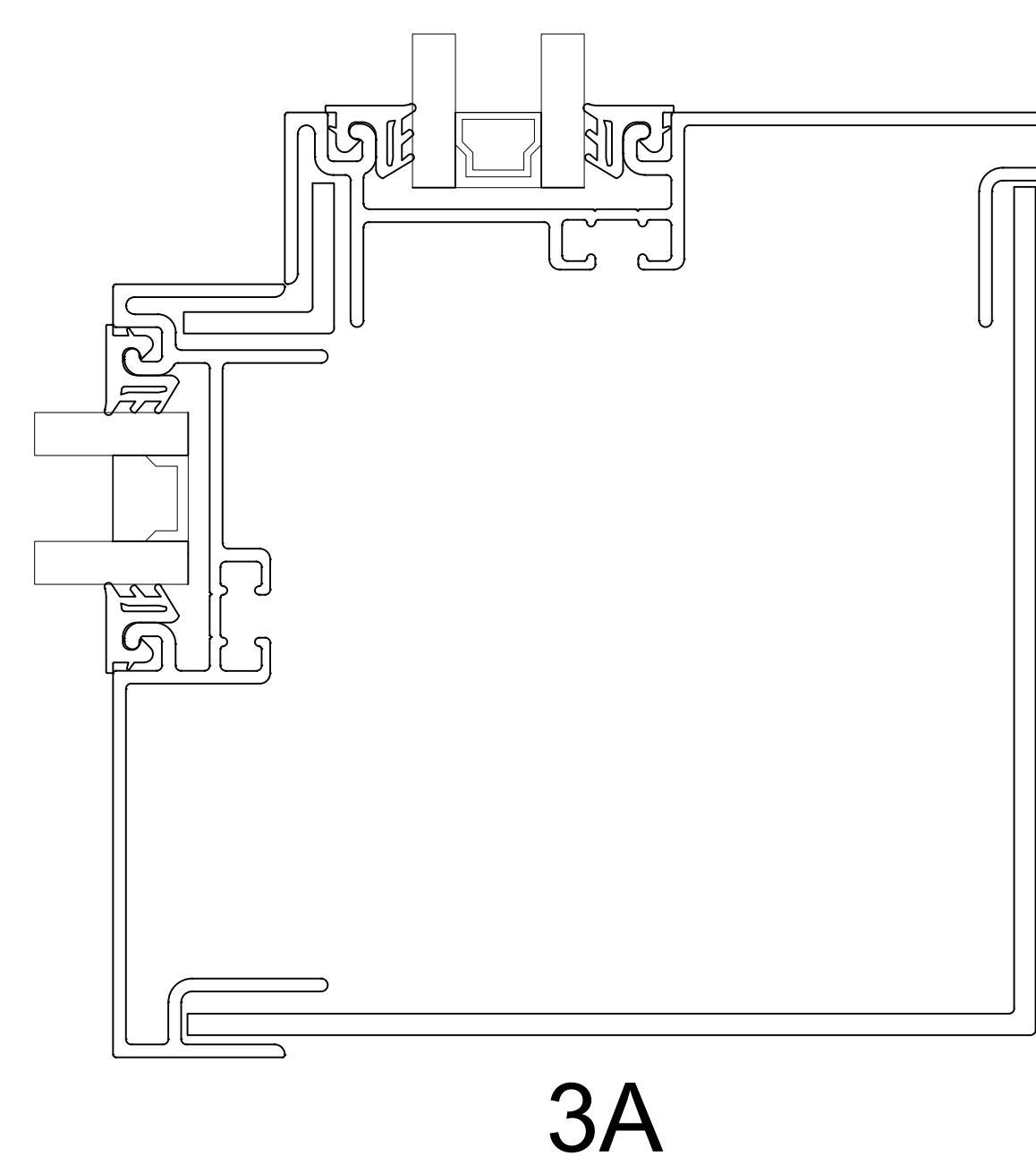
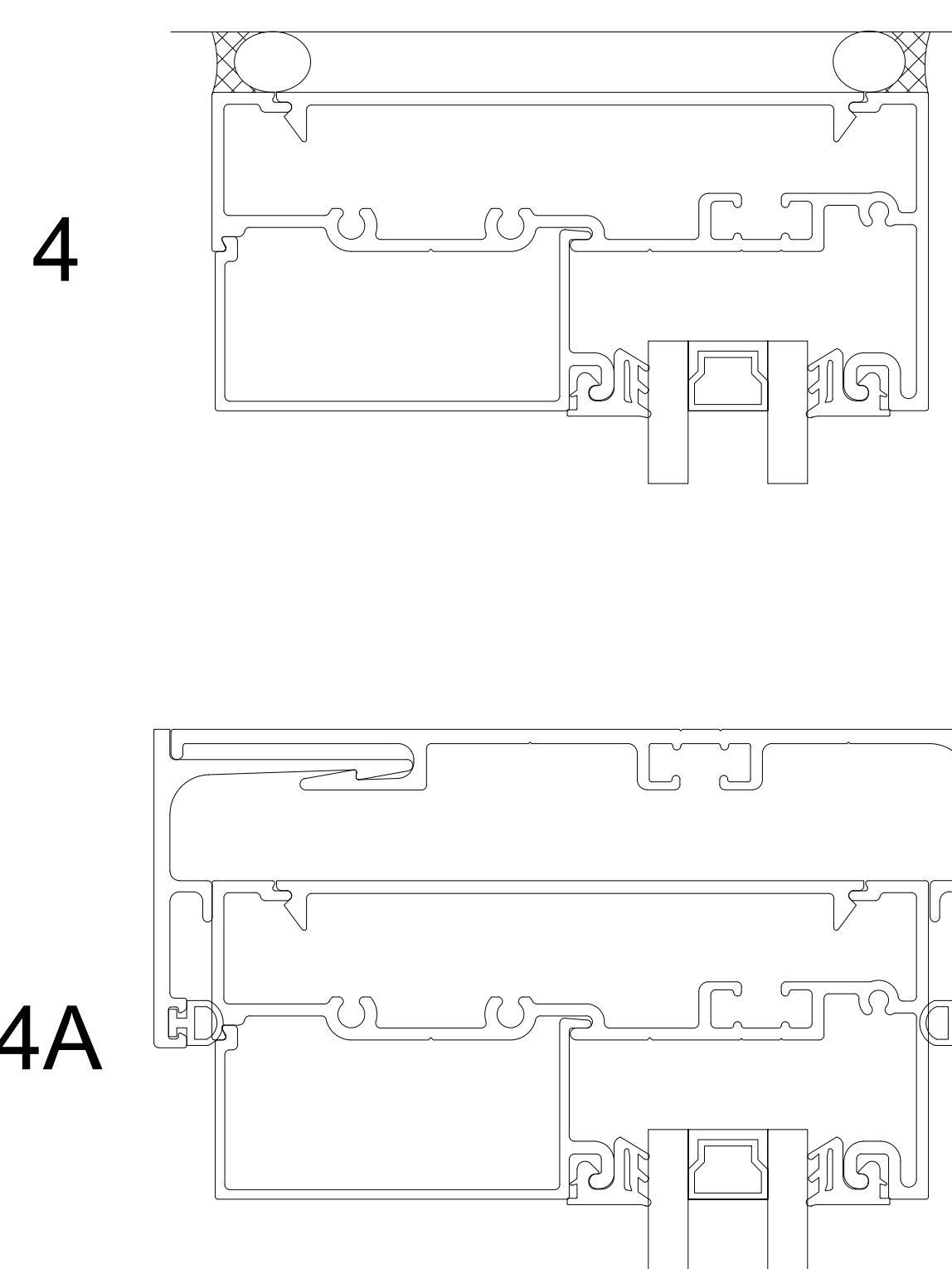
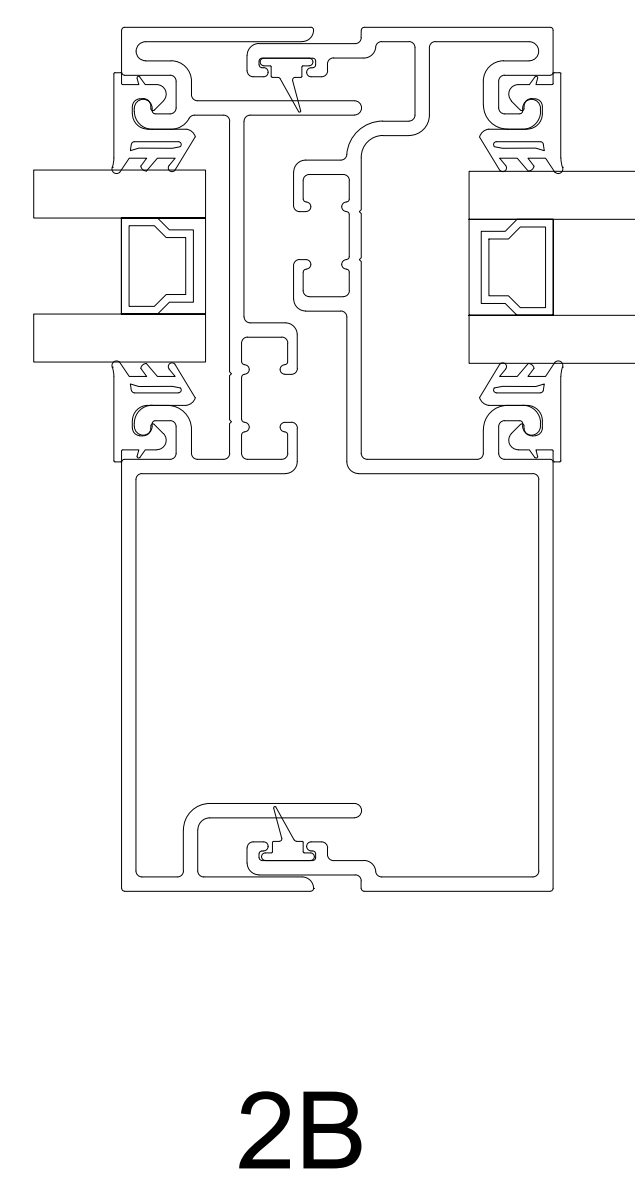
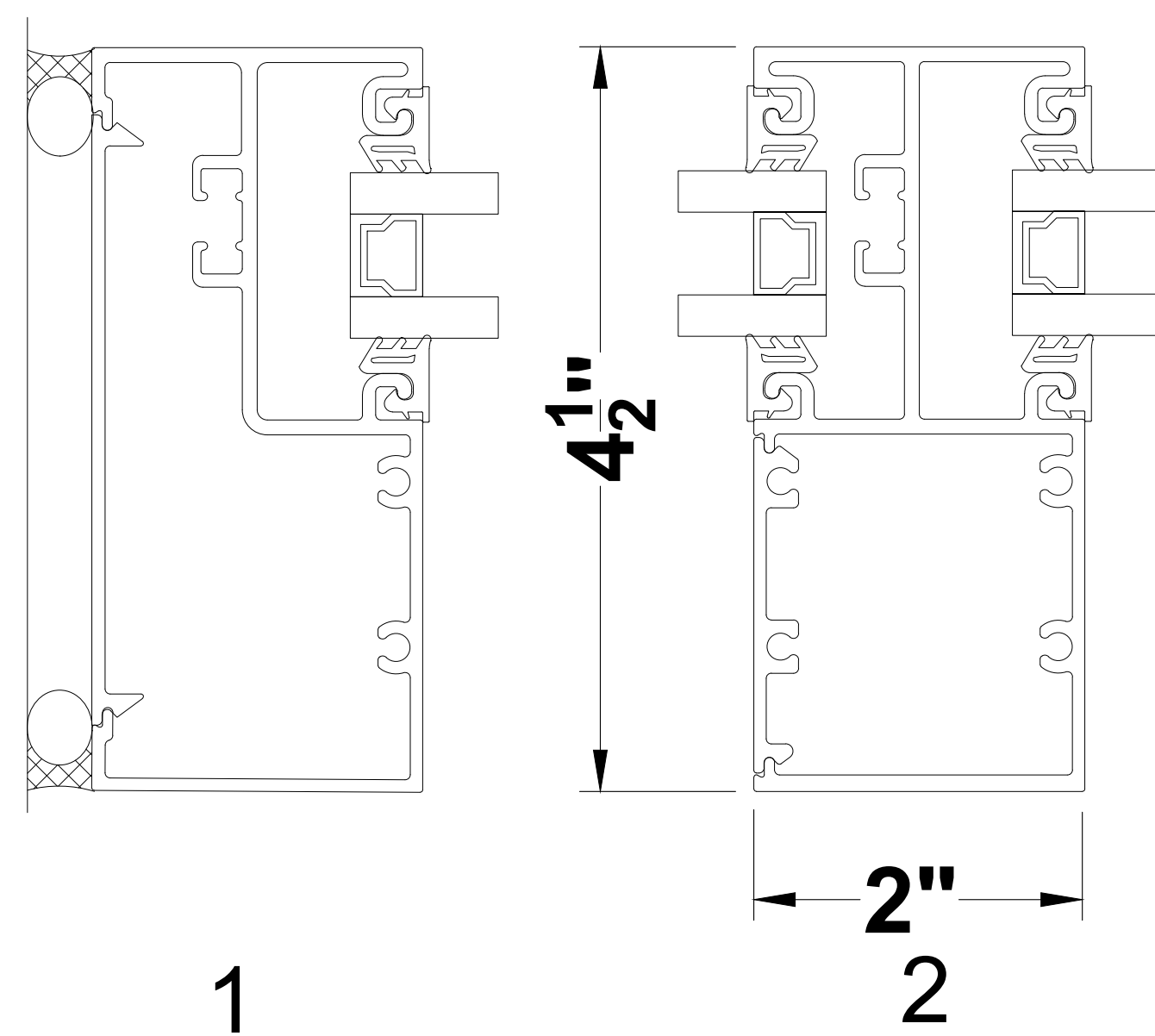


Tubelite reserves the right to change system configuration without prior notice when deemed necessary for product improvements.

Laws and building & safety codes governing the design and use of glazed entrance, window and curtain wall systems vary widely. Tubelite does not control the selection of product configurations, operating hardware or glazing materials, and assumes no responsibility thereof.

Standard Outside Glazed Inboard Plane Details

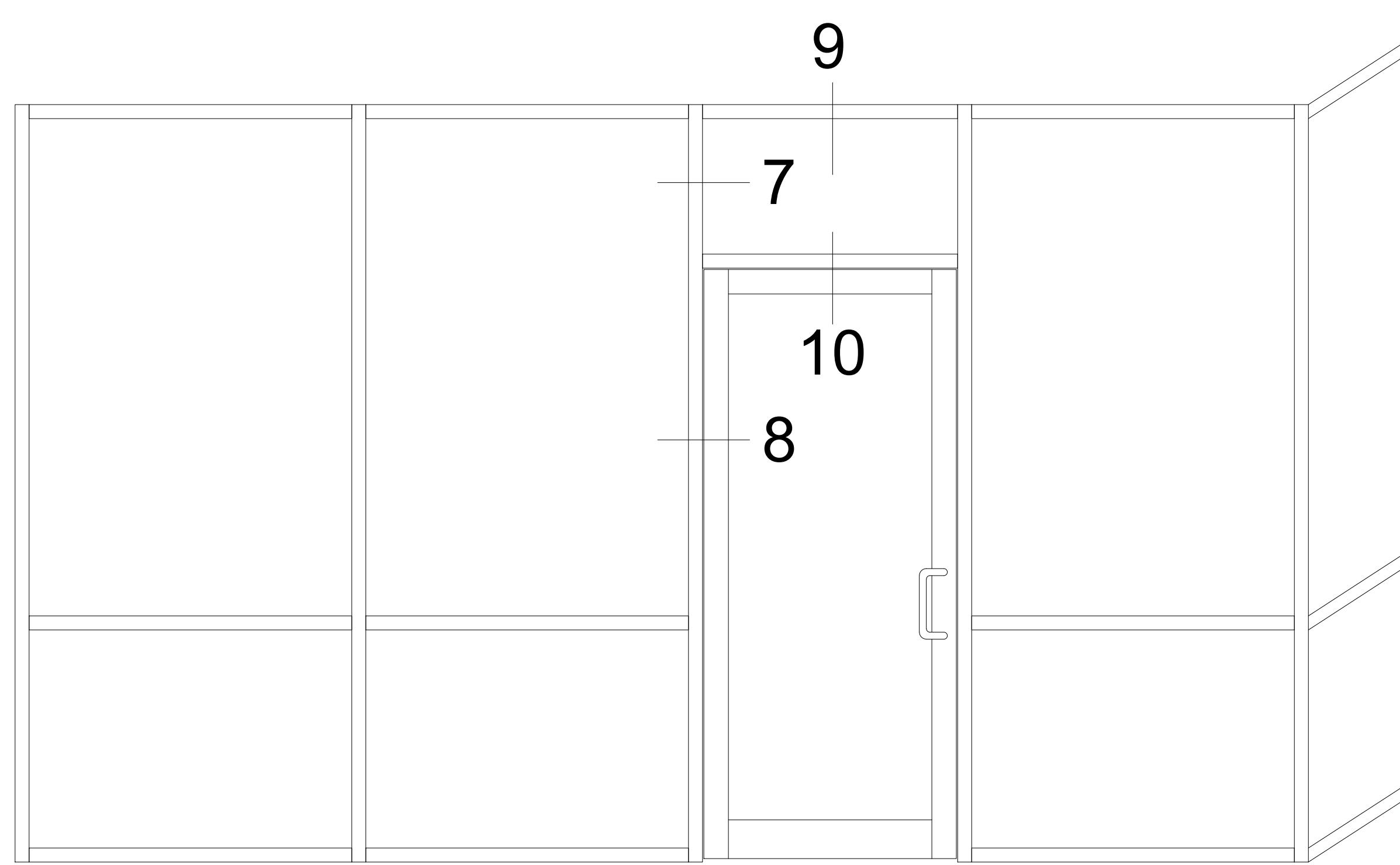
1/4 scale



MARCH 2023



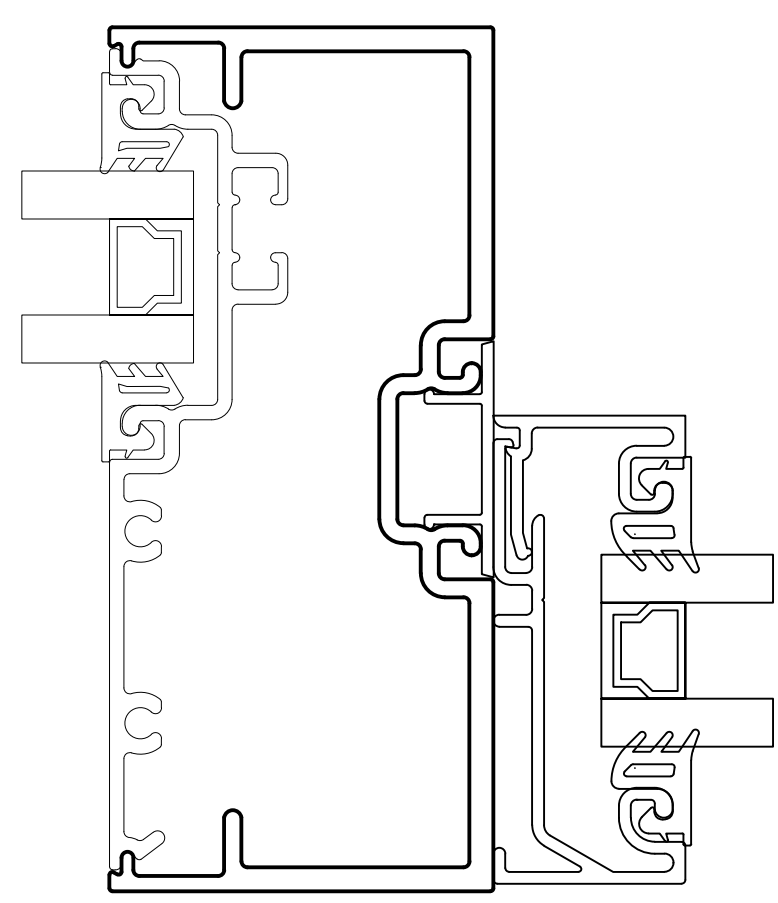
For specific product applications, contact your Tubelite representative.
 Details on this page represent standard details found on our website.
 For more options, visit our website at www.tubeliteinc.com/14000-io-series-multiplane-storefront-framing/



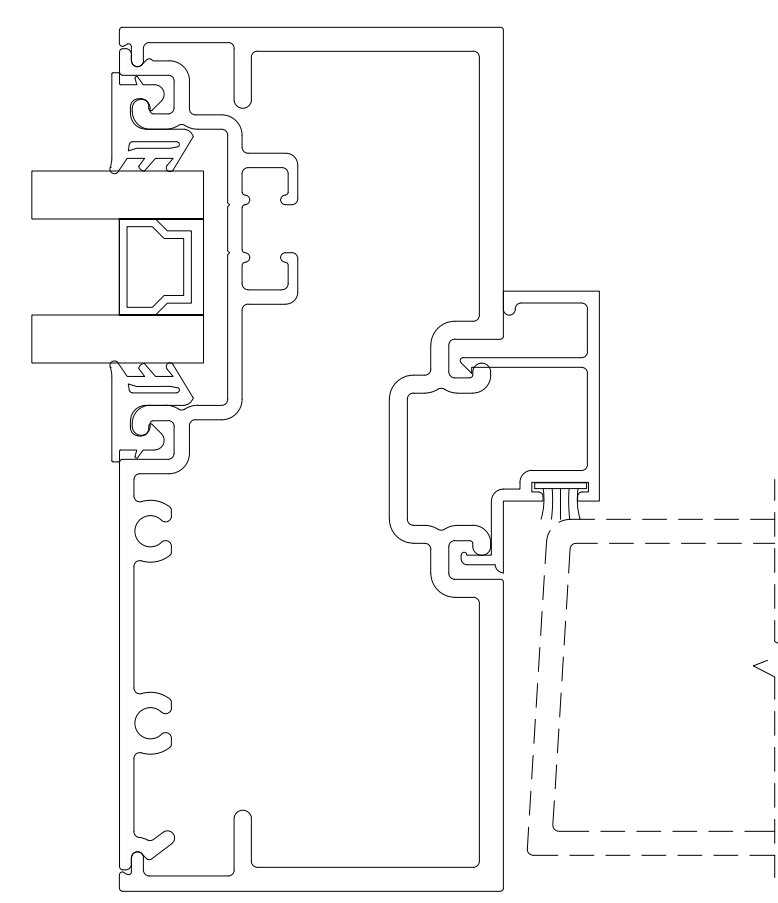
Tubelite reserves the right to change system configuration without prior notice when deemed necessary for product improvements.

Laws and building & safety codes governing the design and use of glazed entrance, window and curtain wall systems vary widely. Tubelite does not control the selection of product configurations, operating hardware or glazing materials, and assumes no responsibility thereof.

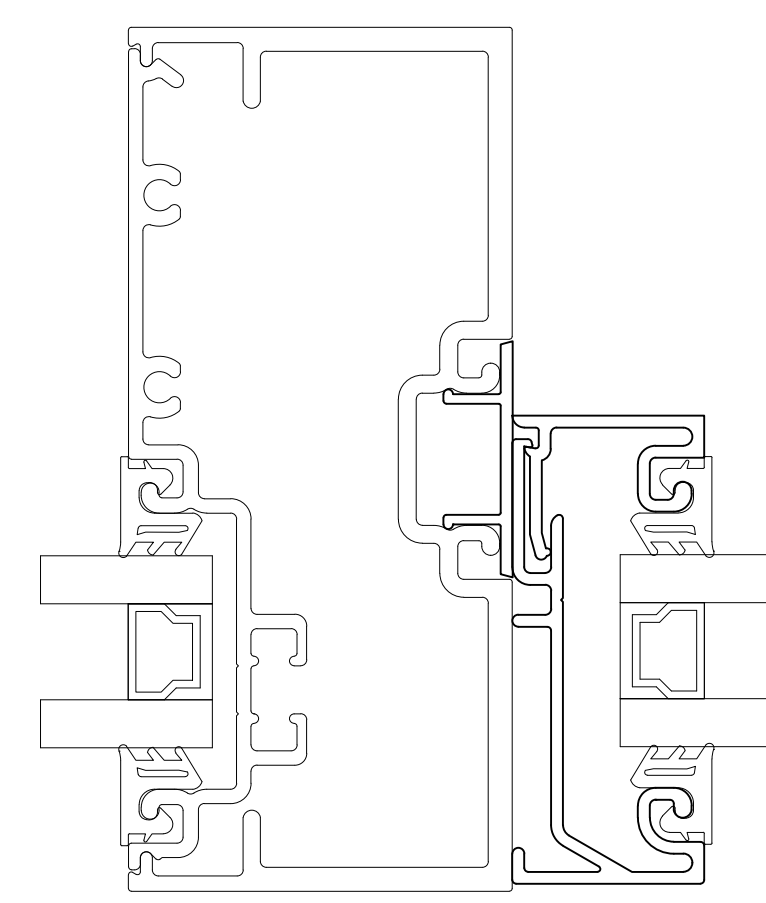
Standard Details
1/4 scale



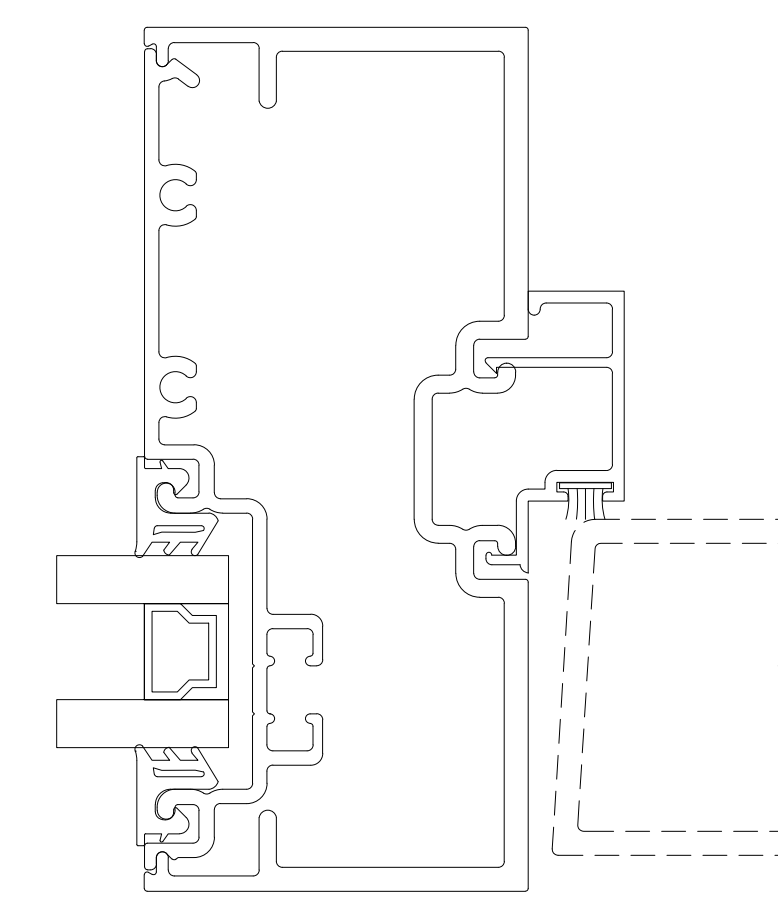
7



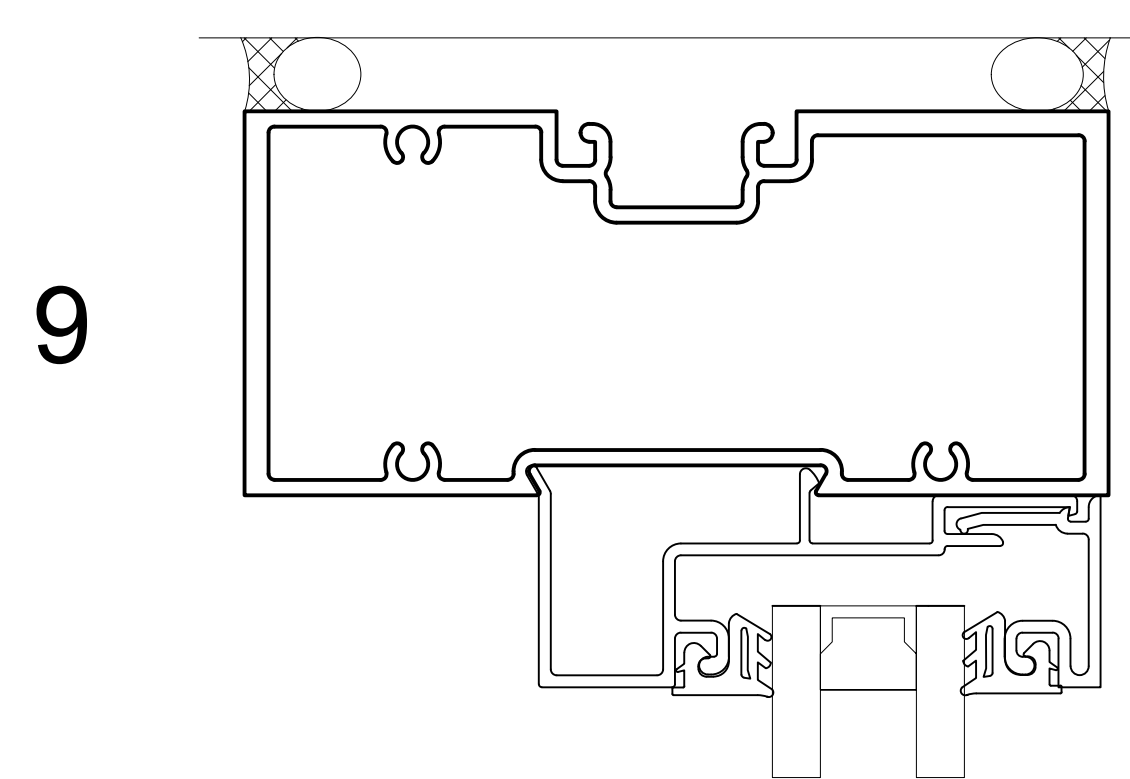
8



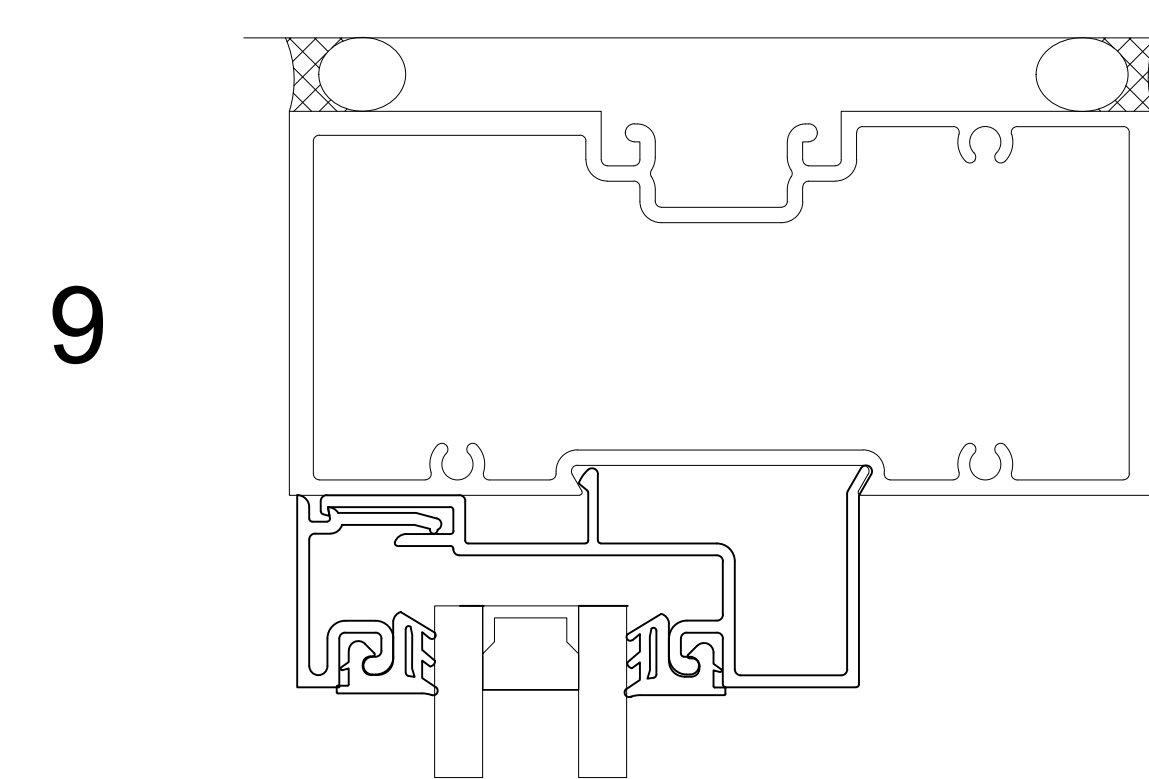
7



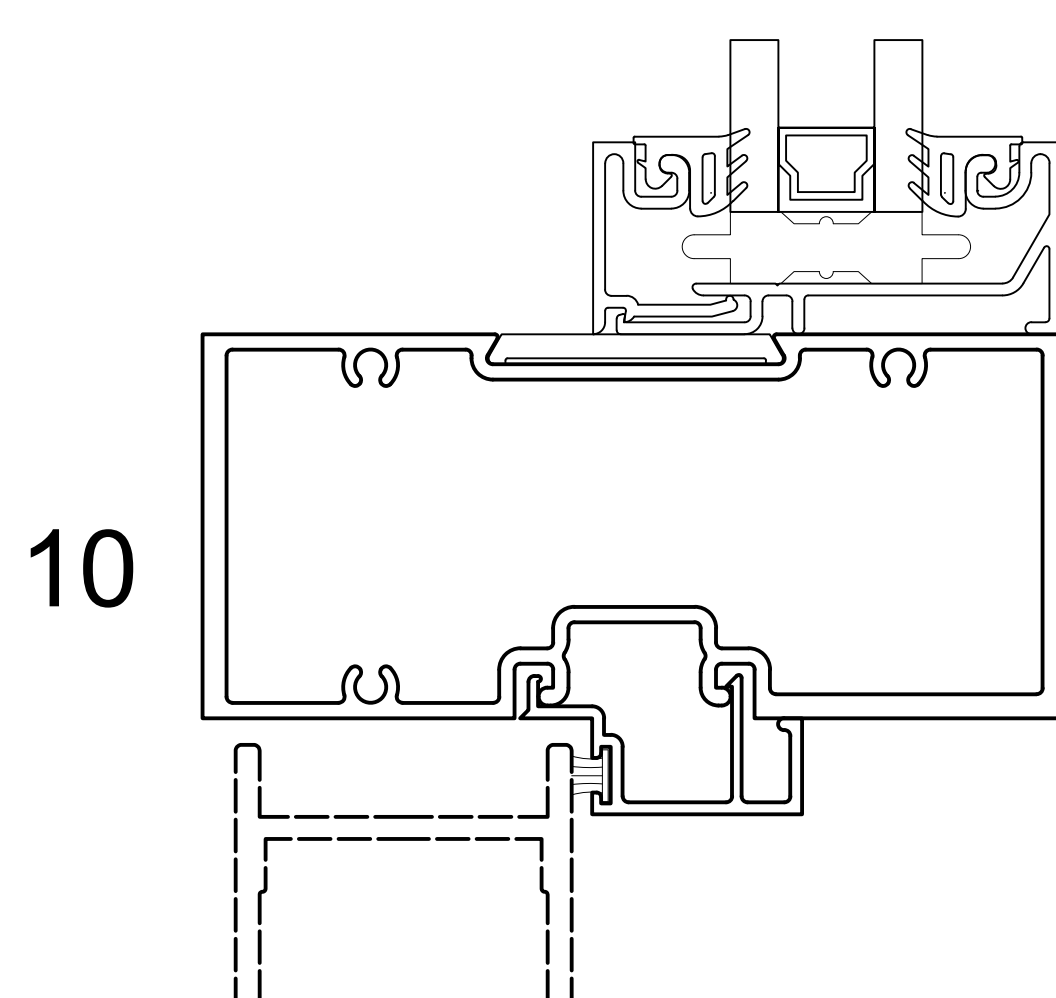
8



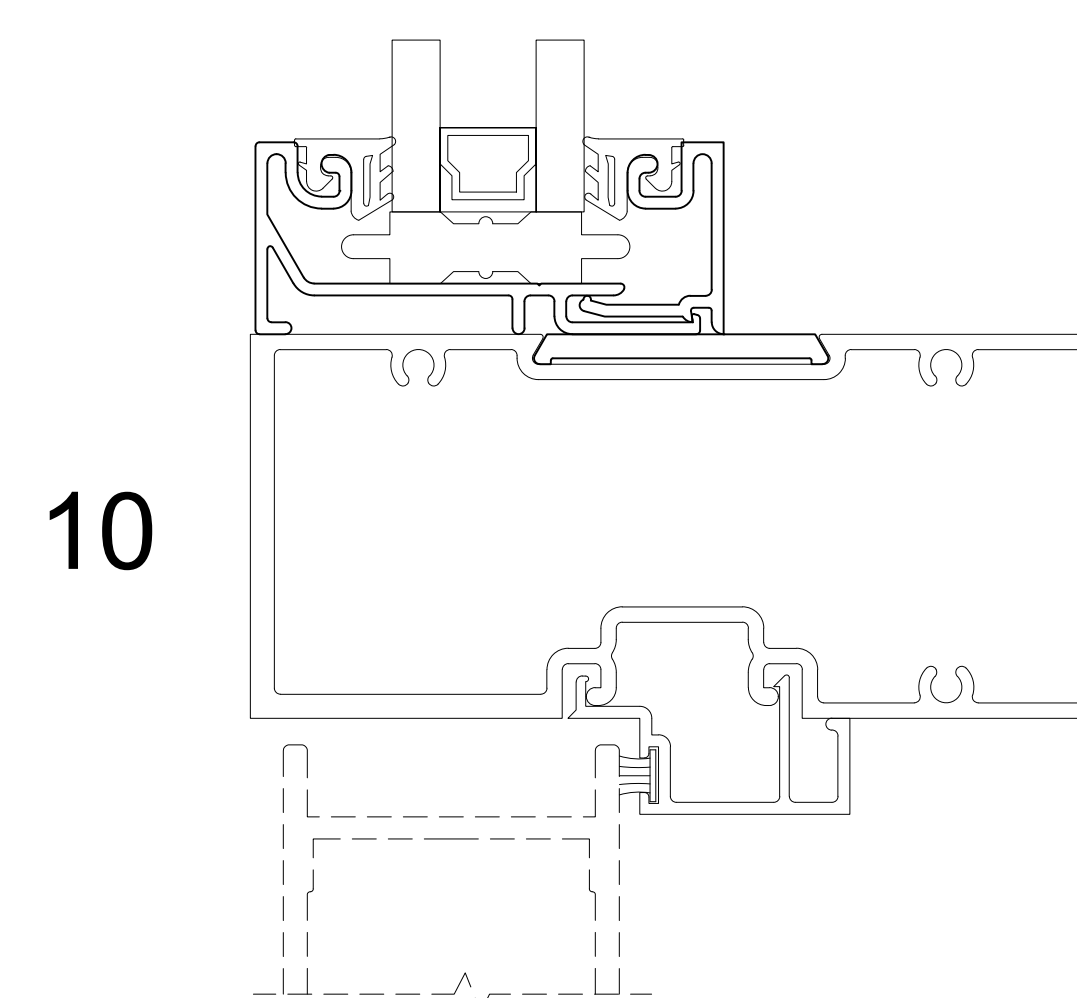
9



9



10



10